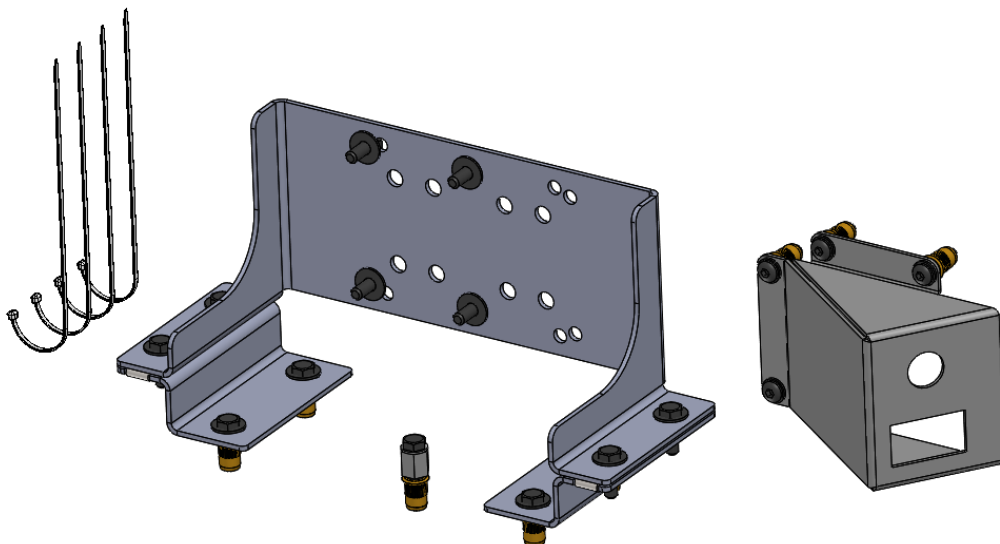




**TOYOTA HILUX DUAL CAB
SINGLE COMPRESSOR BRACKET
(SUITS 2015 ON MODELS)**

INSTALLATION GUIDE

3514111



No liability is assumed for damages resulting in the use of the information contained herein.
ARB Air Locker Air Operated Locking Differentials, ARB Air Locker Air Activation System
and Air Locker are trademarks of ARB Corporation Limited.
Other product names used herein are for identification purposes only and may be trademarks of their
respective owners.

ARB 4x4 ACCESSORIES

Corporate Head Office

42-44 Garden St
Kilsyth, Victoria
AUSTRALIA
3137

Tel: +61 (3) 9761 6622
Fax: +61 (3) 9761 6807

Australian enquiries
North and South American enquiries
Other international enquiries

sales@arb.com.au
sales@arbusa.com
exports@arb.com.au

www.arb.com.au

Table of Contents

- 1 Introduction 4**
- 1.1 Pre-Installation Preparation..... 4
- 1.2 Description..... 4
- 1.3 Kit Contents..... 4
- 1.4 Tool-Kit Recommendations..... 5
 - 1.4.1 Tools..... 5
 - 1.4.2 Supplies..... 5

- 2 Vehicle Preparation 6**
- 2.1 Seat Removal..... 6
- 2.2 Bracket Kit Preparation..... 7

- 3 Bracket Kit Install 8**
- 3.1 Nutsert Install..... 8
- 3.2 Switch Bracket Install..... 12

- 4 Compressor Install 13**
- 4.1 Orientation of compressor for best fit..... 13
- 4.2 Mounting compressor to bracket..... 14
- 4.3 Plumbing up compressor for use with air chuck..... 15
- 4.4 Connecting the Electrical System..... 15
- 4.5 Post-Installation Check List..... 16



1 Introduction

IMPORTANT:

To assure the highest level of planning and reliability goes into this installation, please read this guide in its entirety before attempting any modifications to the vehicle.

1.1 Pre-Installation Preparation

Although your *ARB Air Compressor Bracket* comes complete with all the step-by-step instructions you will need to install it, ARB recommends that you have your ARB Air Compressor installed by a trained professional. Many ARB distributors around the world have been fully instructed in *Air Compressor* installations by ARB, and have gained a wealth of experience and skill from years of performing similar installations.

Make sure your *Air Compressor Bracket* kit is the correct model for your application and that it contains all of the parts listed in section 1.3 below. Also, be sure you have appropriately equipped yourself with all the necessary tools, parts, materials and knowledge to complete this installation and minimize vehicle down time (see section 1.4 *Tool-Kit Recommendations*).

Please refer to your ARB Compressor and Air Locker Operating & Service Manuals for information on operating, servicing, driving technique, or trouble shooting your ARB Air Locker(s) if installed.

HINT: Place a ✓ mark inside each of the □ symbols as you complete each step. It is very important NOT to miss any of the steps!

1.2 Description

The 3514111 Toyota Hilux Dual Cab Compressor Bracket kit enables the installation of a CKSA or CKMA with optional Air Locker Solenoids and ARB LINX PRV behind the rear seat of the vehicle.

1.3 Kit Contents

- 1 x 3752899 BRACKET COMPRESSOR MOUNT
- 2 x 3752900 BRACKET COMPRESSOR MOUNT BASE
- 1 x 3752901 COMPRESSOR SWITCH MOUNT PLATE
- 1 x 6177707 F/KIT BAG 3514111
 - 4x 180302 CABLE TIE
 - 4x 4584329 – WASHER FLAT M6x12.2x1.2
 - 12x 4584378 - WASHER FLAT M6x16x1.2
 - 1x 5811042 - NUT, MACHINED
 - 1x 6151046 - WASHER FLAT 6MM
 - 8x 6151213 - BOLT HEX HEAD M6x1.0x20
 - 1x 6151228 - BOLT HEX HEAD M6x1.0x30
 - 4x 6151261 - NUT U M6x1.0
 - 10x 6151278 - NUTSERT M6
 - 4x 6151402 - BOLT HEX HEAD M6x1.0x16
 - 4x 6151525 – SCREW BUTTON HEAD M6x1.0x25



1 Introduction

1.4 Tool-Kit Recommendations

Below is a list of tools and supplies recommended to complete this installation:

1.4.1 Tools

- Standard automotive sizes of sockets including; 10mm,14mm
- Combination ring/open ratchet wrenches; 10mm x2 (for compressor mount screws/nuts), 12mm (for Air line Elbows if installed), 14mm x2 (for hose connections)
- Ratchet & short extension
- Allen keys; 3mm (CKSA), 4mm (CKMA), for adjusting compressor body mount.
- Screwdrivers; No.2 Phillips & Small flat
- Torque Wrench 5 to 100Nm range
- A leak test gauge (i.e., ARB# ALTG01)
- A multimeter
- A soldering iron

1.4.2 Supplies

- Thread lubricant/sealant compound for pressure fittings (e.g., LOCTITE #567 Teflon paste or plumbing supply Teflon tape)
- A soap and water mixture to test for air leaks
- Electrical tape
- Solder and/or automotive crimp fittings
- Silicone sealant (to seal area around Air Locker lines if installed)



2 Vehicle Preparation

2.1 Seat Removal

A manufacturer's service manual and optional ARB operation & Installation manuals should be used in conjunction with these instructions.



- Lift up the rear seat and undo the 5x bolts holding the seat in using a 12mm socket and ratchet.



- With the help of another person lift the seat assembly and unhook it from the body. Move the seat out of the way and rest it against the front seats.

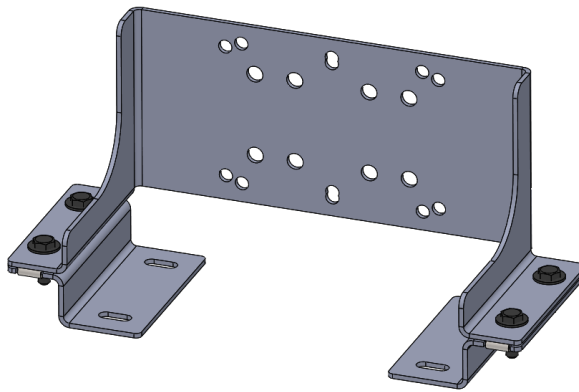


2 Vehicle Preparation

2.2 Bracket Kit Preparation



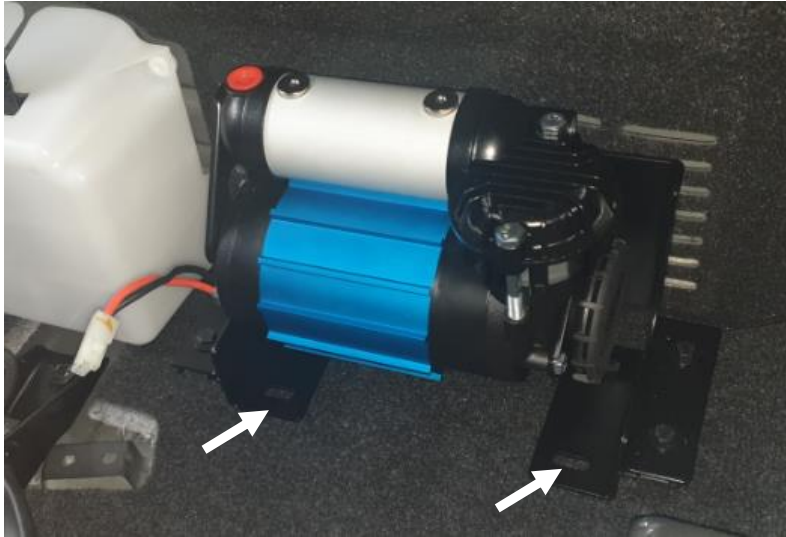
- Fit the U-nuts to the 3752900 bracket mount feet as shown.



- Loosely mount the feet to the compressor bracket using M6x20 bolts & M6 flat washers as shown. Please note the orientation of the feet.

3 Bracket Kit Install

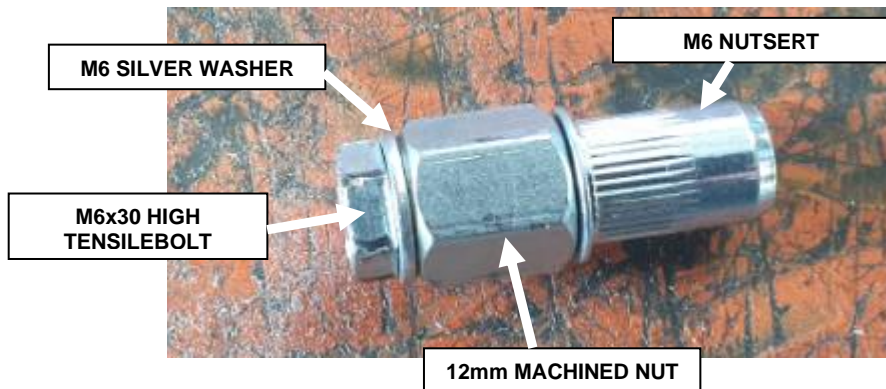
3.1 Nutsert Install



- Sit the bracket assembly in desired position on the LH side of the vehicle and mark the centre of the slotted holes with a permanent marker. (compressor temporarily fitted to bracket to ensure correct location).
- Drill out the floor with a 10mm drill bit. Drill through both the carpet and the steel floor.



- M6 Nutserts need to be fitted to the drilled holes. This can be done with a nutsert gun. Alternatively, the fitting kit comes with a small nutsert fitting device. Assemble the above components as shown. Use a small amount of lubricant between the bolt head and washer.



3 Bracket Kit Install



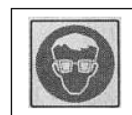
- If using the supplied nutsert tool, hold the lower machined nut with a 12mm spanner. Tighten the M6 bolt with a 10mm socket & ratchet or using an impact driver as shown.
- Tighten until you can feel a significant increase of resistance on the bolt. Remove the bolt from the nutsert and repeat for the other 3 nutserts.

Note: Ensure that the nutserts have gone through the carpet and not pinched the carpet. If need be, peel the carpet back to fit the nutserts.



Ensure nutserts have not pinched the carpet

- Vacuum up all debris caused by drilling operations.



Warning: Drilling operations can result in flying metal debris, safety glasses should be worn.

3 Bracket Kit Install

3.2 Bracket Feet Install



- The floor should now look like the above LH image. Remove the mounting feet from the bracket assembly used for marking hole positions. Install the mounting feet as shown in the RH image above, using M6x20 bolts & M6 washers.
- Torque fasteners to 9Nm [7 lbf.ft].



- Carefully cut the carpet and fit around the brackets as shown in the above image.

3 Bracket Kit Install



- On the LH rear seat corner hold the bracket in position and mark the 4x mount hole positions with a permanent marker. The bracket corner should sit 30mm from the plastic trim as shown.
- Drill the 4x holes to 10mm and fit nutserts as shown on page 9.



Warning: Drilling operations can result in flying metal debris, safety glasses should be worn.

3 Bracket Kit Install

3.2 Switch Bracket Install



- Mark a "X" between the 4x drilled mount holes and carefully cut with a Stanley knife. Behind the carpet is a large hole, where the wiring and air line can be fed from the compressor under the carpet, inside the seat base and then out through the hole as shown.



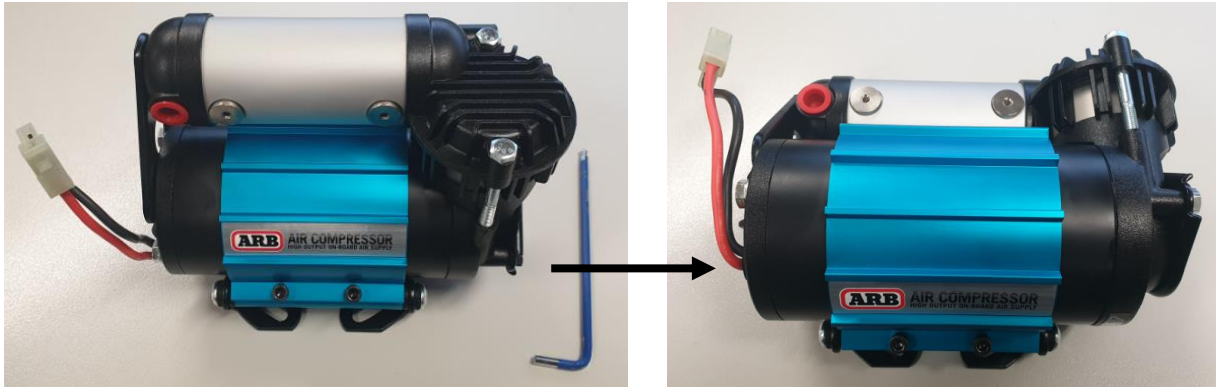
- Feed the compressor wiring and air line through the cut carpet and connect to the switch and air coupling. The air line will need a 0740104 90deg elbow.
- Refer to the installation guide that came with the compressor for detailed instructions for wiring of the compressor switch.
- Fit the bracket to the 4x nutserts using button head screws and small washers.



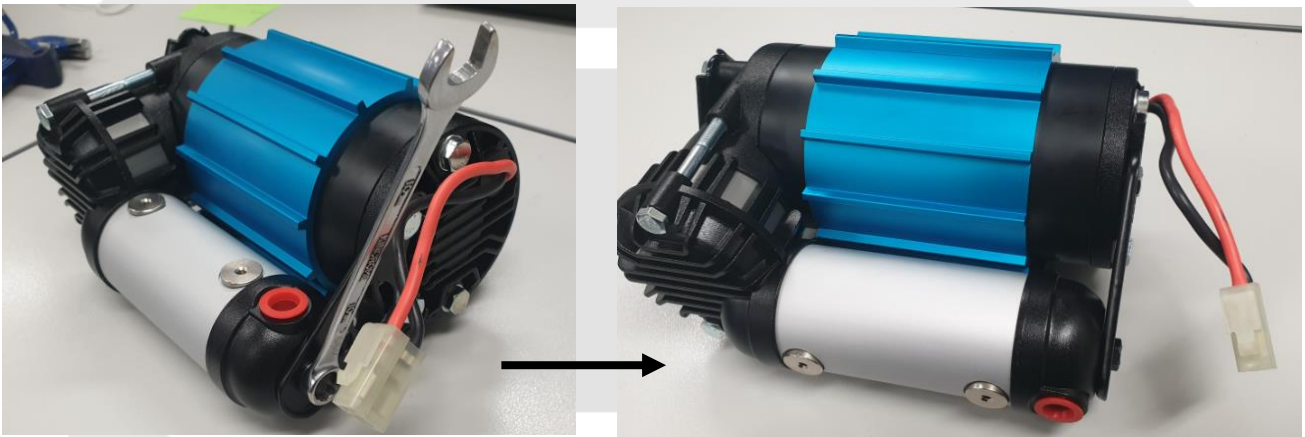
4 Compressor Install

4.1.1 Orientation of compressor for best fit - CKMA

- Loosen the two allen head screws and rotate the compressor 90° in the bracket as shown. Tighten the allen head screws to 8Nm [6 lbf.ft].

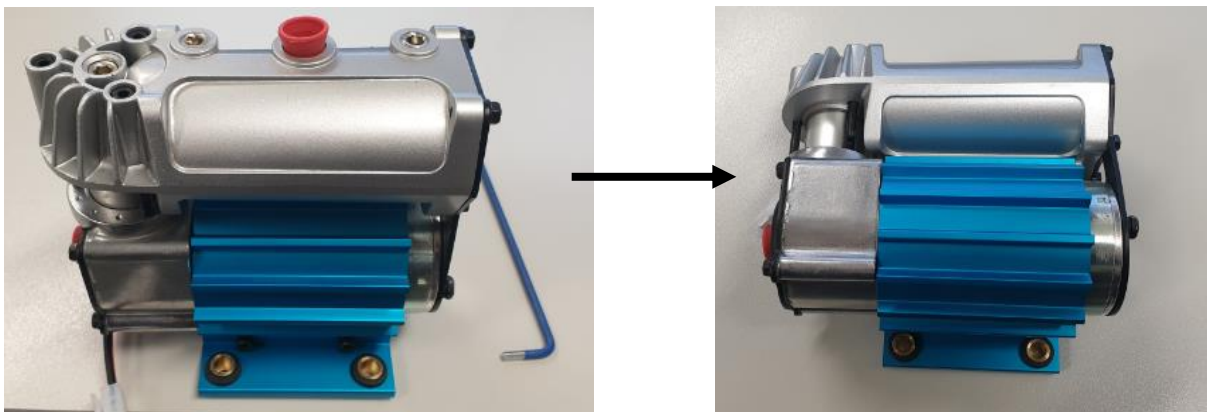


- Loosen the bolt holding the manifold using a 10mm spanner. Rotate the manifold 90° as shown. Tighten the bolt to 9Nm [7 lbf.ft].



4.1.2 Orientation of compressor for best fit - CKSA

- Loosen the two allen head screws and rotate the compressor 90° in the bracket as shown. Tighten the allen head screws to 8Nm [6 lbf.ft].



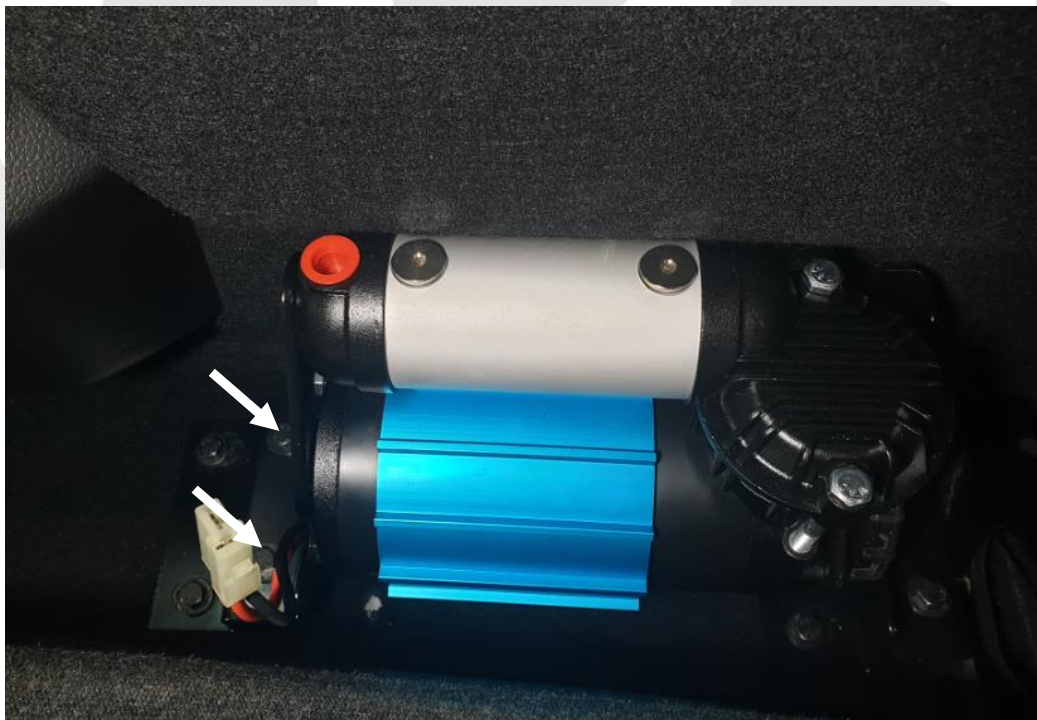
4 Compressor Install

4.2 Mounting compressor to bracket

- Mount the compressor to the bracket using the M6x16 screws and washers supplied with the bracket fitting kit as shown. Manifold and manifold outlets should face upwards.
- Tighten the M6 screws to 9Nm [7 lbf.ft].



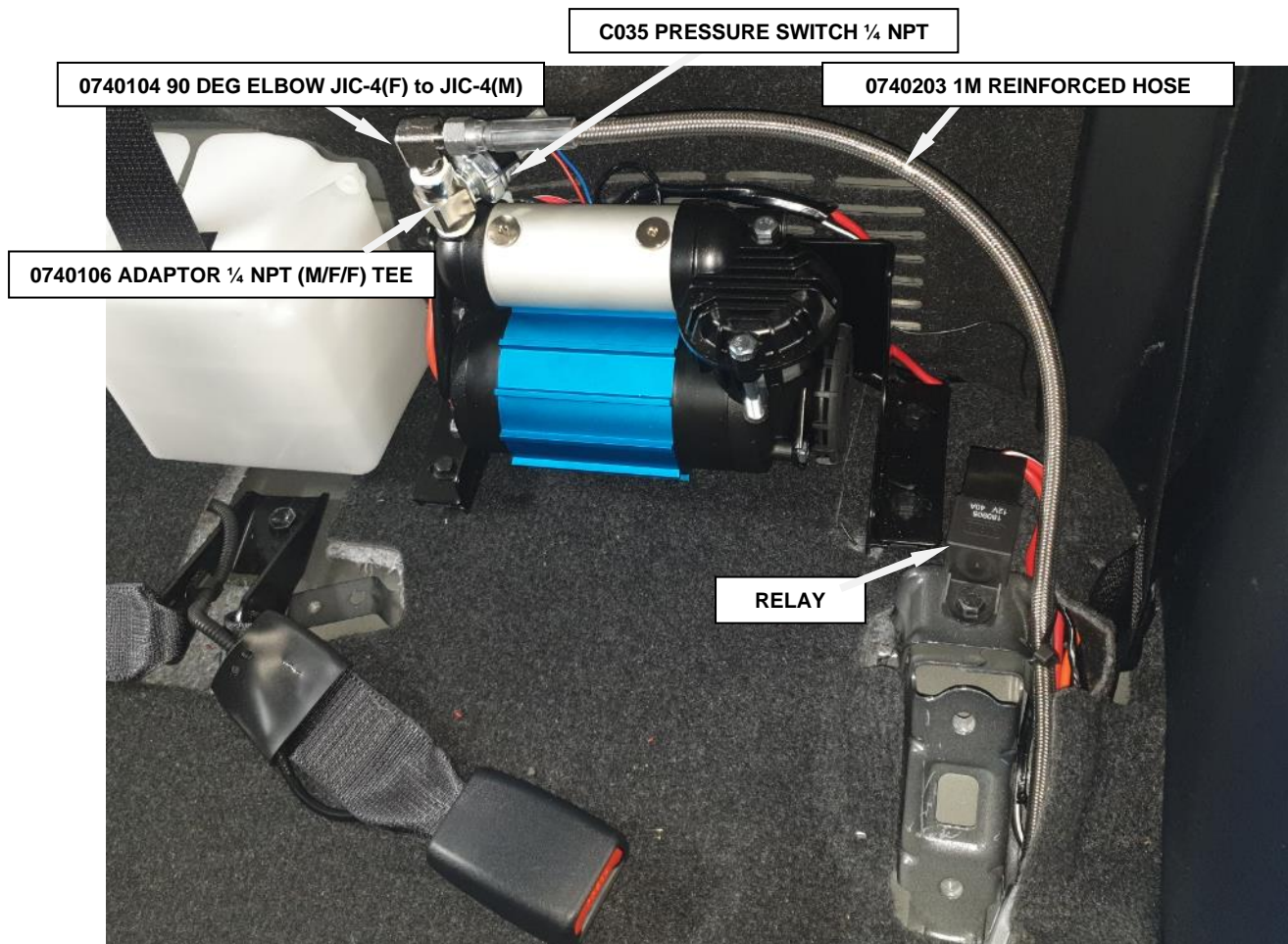
- Mount the compressor bracket (with compressor bolted to it) onto the bracket feet using 4x M6x20 screws and M6 flat washers.
- Tighten the M6 screws to 9Nm [7 lbf.ft].



4 Compressor Install

4.3 Plumbing up compressor for use with air chuck

- Below is an example of how to connect the compressor to the air chuck. Ensure that no part of the air hose or fittings are in contact with the interior panel behind, or that it touches the seat when closed.
- Use an appropriate thread sealant on required fittings (as listed in section 1.4.2 of the instructions).



4.4 Connecting the Electrical System

- Refer to the installation guide that came with the compressor for detailed instructions for wiring of the compressor.
- After completion of the wiring insert compressor switch into the switch mount bracket as shown.
- At this stage of assembly test system for correct operation and check for any air leaks around connections.



4 Compressor Install

4.5 Post-Installation Check List

Now that the compressor installation has been completed, ARB recommends that you take the time to complete the following check list just to ensure that you haven't missed any of the vital steps.

- The air system has been leak tested.
- The air filter position will not be exposed to moisture, dust or dirt.
- All air lines and wiring have been securely cable tied to resist snagging.
- Switch(es) has/have been securely mounted within operator reach, yet well away from danger of accidental engagement.
- Switch(es) function(s) properly and illuminate(s) to indicate activation.

For warranty and service purposes, please fill in the following fields and supply a copy to the customer (if applicable).

ARB PRODUCT MODEL NUMBER: _____

SERIAL No: _____

POINT OF SALE (NAME/LOCATION): _____

DATE OF PURCHASE: _____

INSTALLATION PERFORMED BY: _____

DATE OF INSTALLATION: _____

VEHICLE MAKE: _____

VEHICLE MODEL: _____

VEHICLE YEAR OF MANUFACTURE: _____

