

# RHINO-RACK®

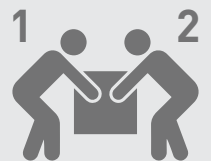
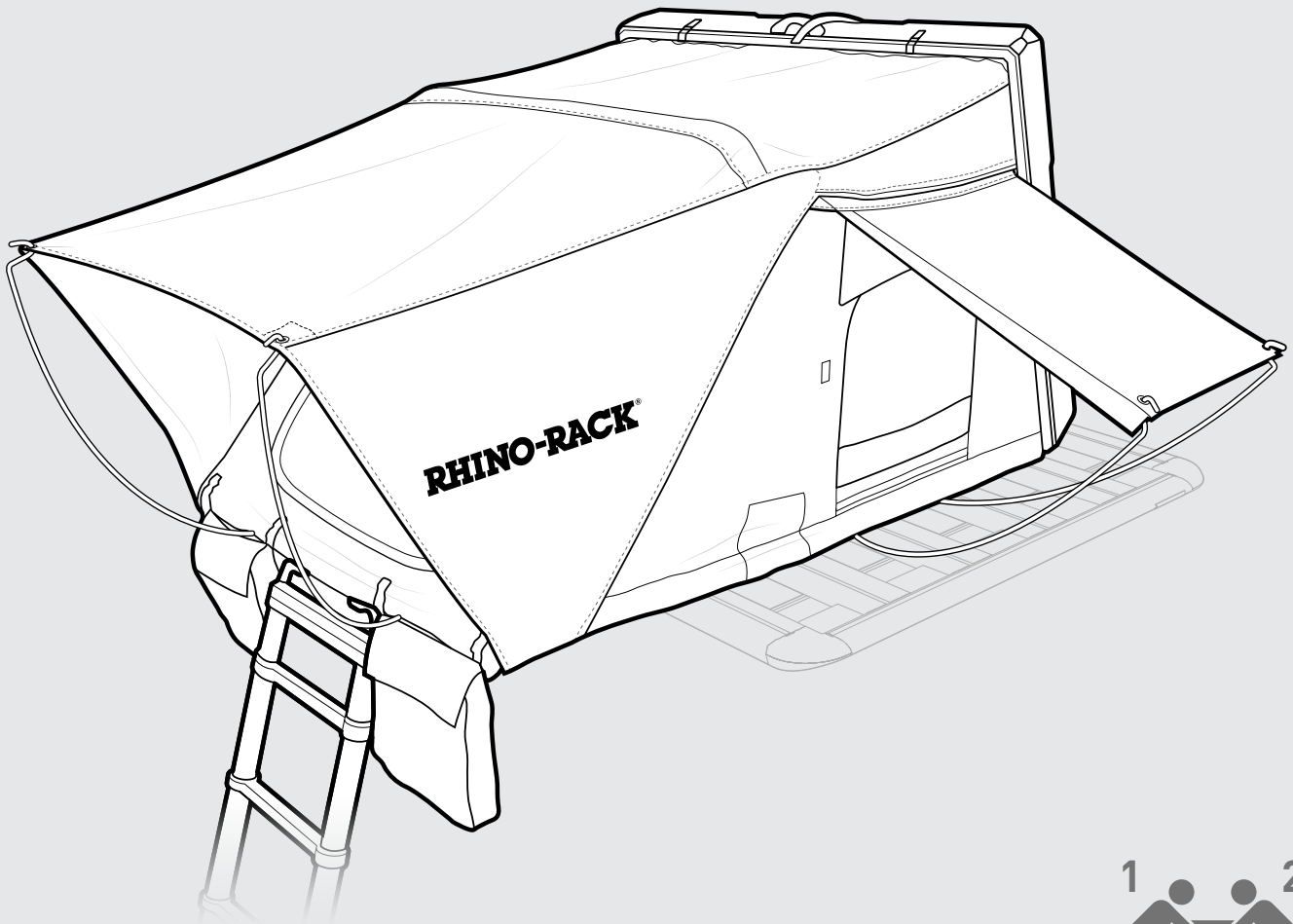
## Roof Top Tent 2 Person Folding Hardshell

61002

**Important:**

1. Check the Rhino-Rack website to ensure you have the latest issue of these instructions.
2. Please refer to your fitting instruction to ensure that the roof racks are installed in the correct locations.
3. Check the contents of kit before commencing fitment and report any discrepancies.
4. Place these instructions in the vehicle's glove box after installation is complete.
5. These instructions must be followed for warranty to be upheld.

**Fit Time:** 30 mins



**RHINORACK.COM**

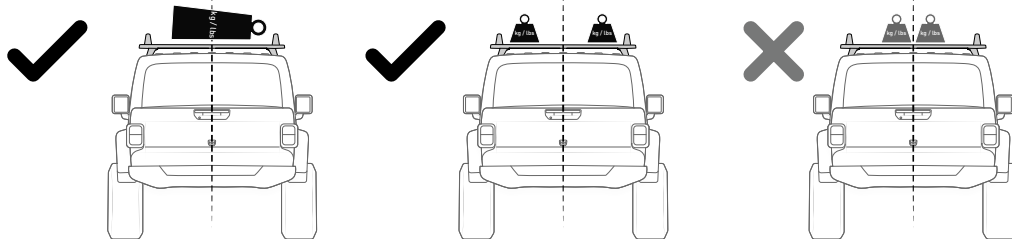
Doc. No: 520-RFI-00170

Issue No: 03

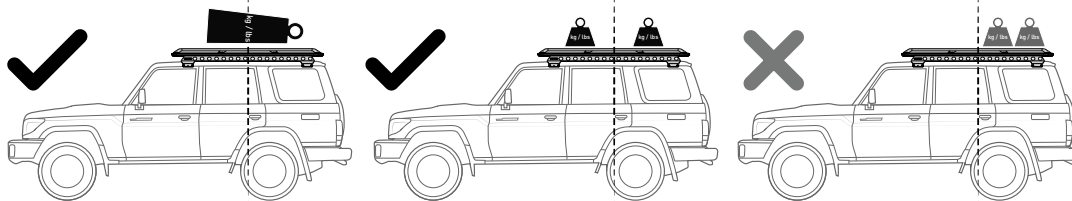
Issue Date: 09/01/2024

# CONTENTS

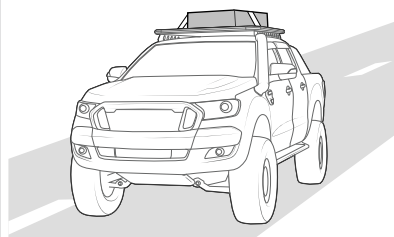
3	<b>WARNINGS</b>
4	<b>CARRYING CAPACITY</b>
4	GENERAL WARNINGS
4	WARRANTY
5	<b>SPECIFICATIONS</b>
5	CLOSED DIMENSIONS
5	OPENED DIMENSIONS
5	TENT OVERVIEW
6	<b>PARTS LIST</b>
7	<b>MOUNTING OPTIONS</b>
8	<b>UNPACKING CONTENTS</b>
9	<b>INSTALLATION</b>
10	UNDERBAR INSTALLATION
13	MOUNT BRACKET + TENT INSTALLATION
20	<b>TENT USAGE</b>
20	OPENING THE HARDSHELL
21	LADDER SET UP
23	TENT SET UP
24	LED LIGHT BAR
24	<b>TENT STOWAGE</b>
27	<b>TENT REMOVAL</b>



Distribute loads evenly and longitudinally as low as possible over the span.



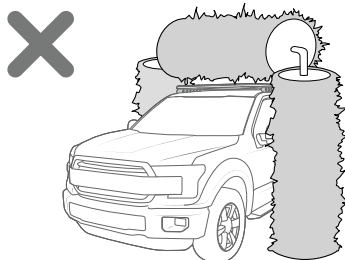
Avoid point loads concentrated at the front or rear.



Exercise extreme care when transporting wind-resistant loads. Special consideration must be taken when cornering and braking.



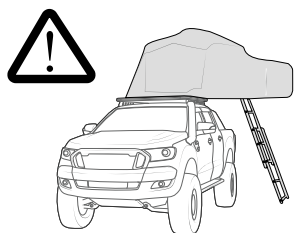
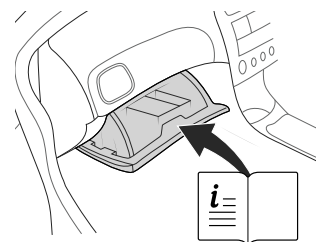
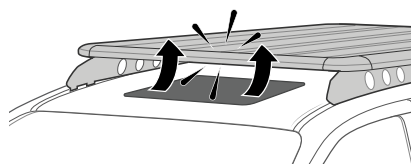
Off-road conditions can be much more rigorous. Extreme care must be taken on any driven path that does not contain a surface protection layer (tar/bitumen).



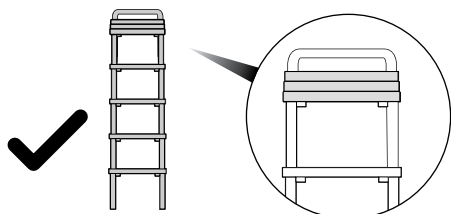
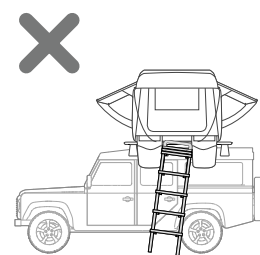
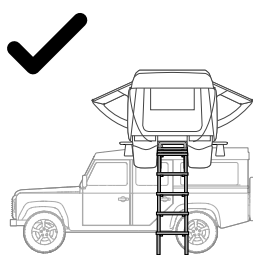
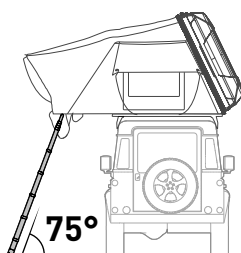
Racks must be removed when vehicle is put through an automatic car wash.



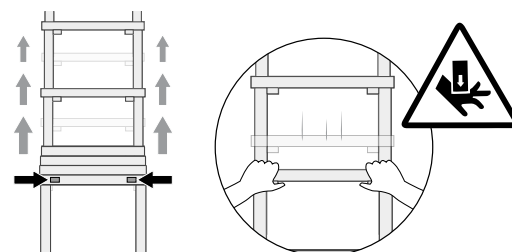
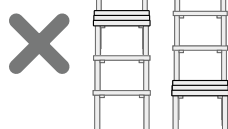
Ensure sunroof will not collide with roof rack system.



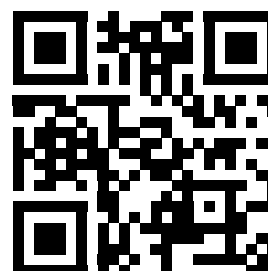
Ensure Ladder is well supported on the ground to support tent. Take extreme caution when climbing heights above 1.2m/4ft.



Collapse ONLY the **top-most** ladder rungs.



Youtube.com/Rhinorackaustralia



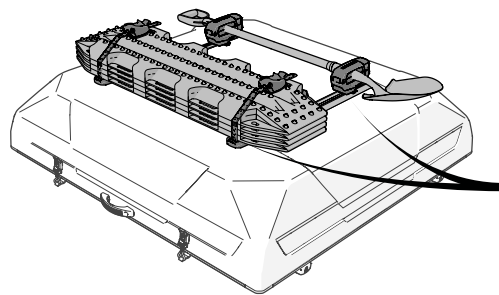
## Carrying Capacity

Check your vehicle owners hand book for vehicle maximum carrying capacity. Please ensure you use the vehicle manufacturer's maximum roof allowance if it is lower than the figure listed in this instruction.

**IMPORTANT:** Ensure your vehicle roof has a load rating higher than the weight of both the tent and any mounted accessories, and a static load limit that can support the tent in use.

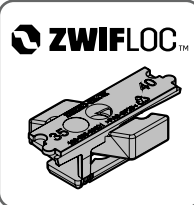
### USING THE TENT-COVER TRACKS:

Tracks can be used like cross bars.



*(Accessories not included)*

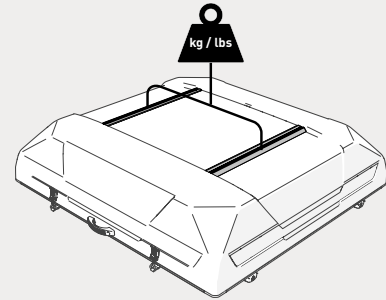
REQUIRED  
HARDWARE:



### MAXIMUM LOAD RATING

**20kg / 44.1lbs**

Load must be evenly distributed over BOTH tracks.



## Warning

- Do not attempt to fit the accessory to your vehicle unless you fully understand these fitting instructions. Please direct any questions regarding fitting to the dealer from where the product was purchased.
- Off-road conditions can be much more rigorous. Extreme care must be taken in off road conditions.
- Rooftop Tent and Roof Rack System must be removed when vehicle is put through an automatic car wash.
- Ensure product is locked before driving.

## In service maintenance checks

- All bolt connections should be checked after driving a short distance when you first install your roof racks.
- All bolted connections should be checked again at regular intervals (weekly is recommended, depending on road conditions, usage, loads and distances travelled).
- All bolted connections should be checked each time they are re-fitted.
- Off-road conditions are more rigorous. Check all bolted connections and your load more regularly.
- Ensure that your vehicle manufacturer's GVM, and gross axle weights are not exceeded (refer to vehicle owner's manual).

## Sensitivity to Crosswinds, Behaviour in Curves and Braking.

Remember that the handling characteristics of your vehicle will change when transporting a load on the roof. Exercise extreme care when transporting wind-resisting loads; special consideration must be taken into account when braking.

## Note for Dealers and Fitters

It is your responsibility to ensure these fitting instructions are given to the end user or client. These instructions remain the property of Rhino-Rack Australia Pty. Ltd. and may not be used or changed for any other purpose than intended.

## Warranty

We love creating our products for you and hope you love using them too. For complete peace of mind, register your product at [www.rhinorack.com/warranty](http://www.rhinorack.com/warranty). This way, we can quickly help you with any future approved fitment warranty claims.

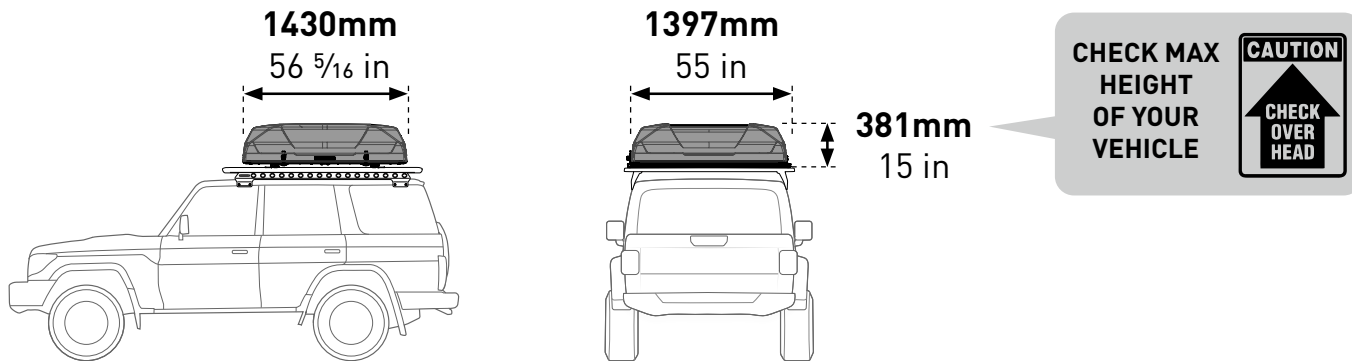
And remember – never to forget to **Make Space For Adventure!**



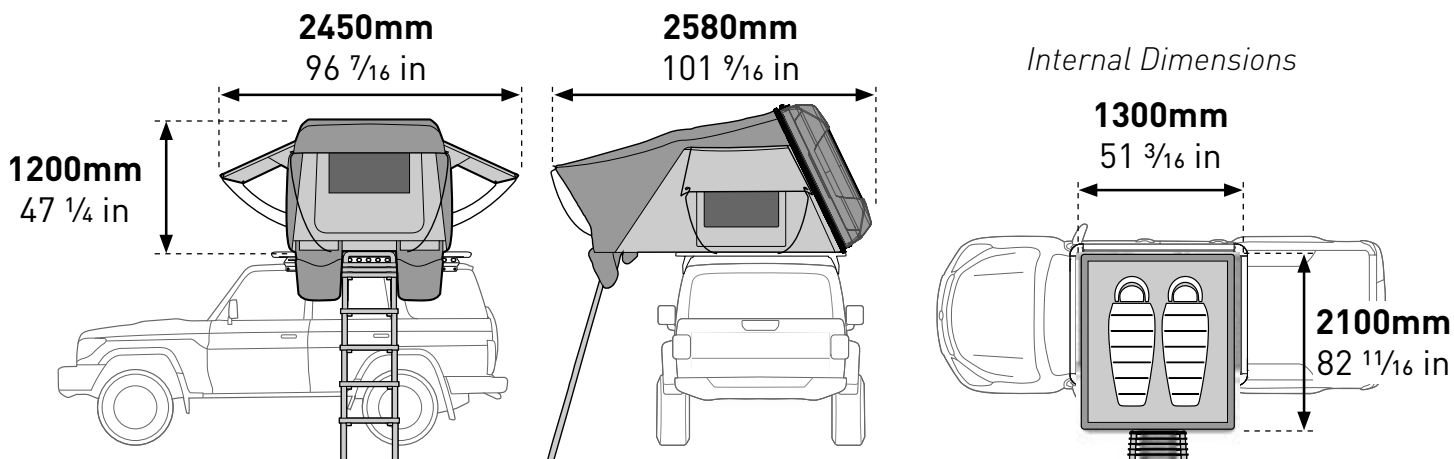
## SPECIFICATIONS

Weight	<b>63kg / 139lbs</b>
Sleeping Capacity	2 people
Weight Capacity	<b>300kg / 661bs</b>

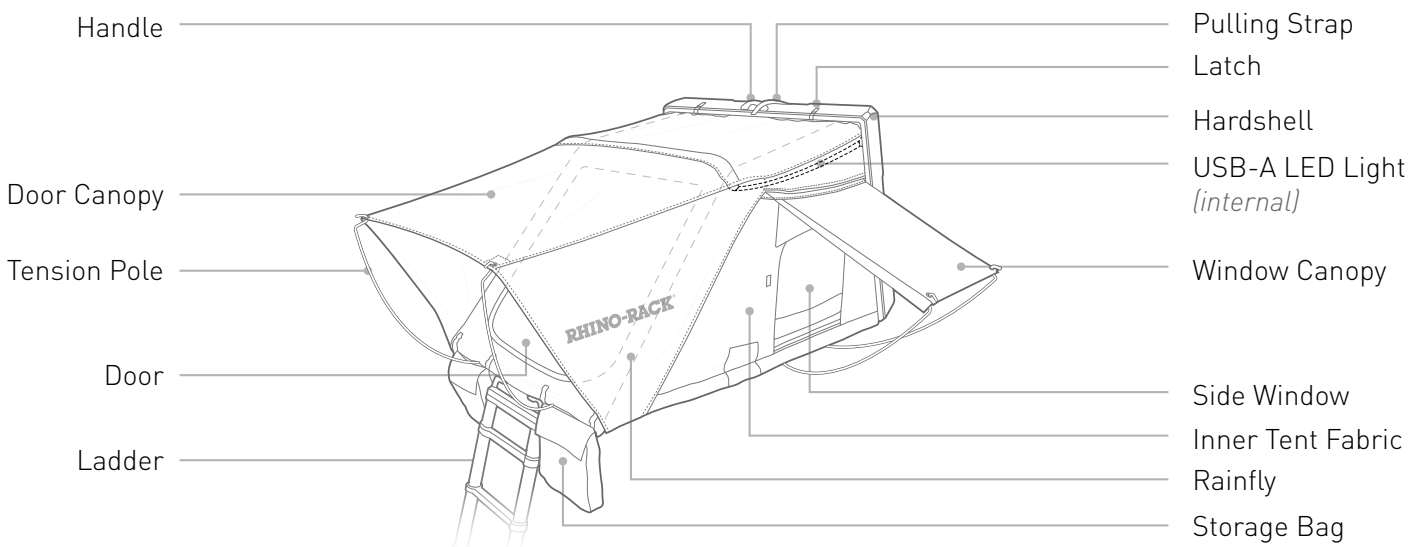
## CLOSED DIMENSIONS



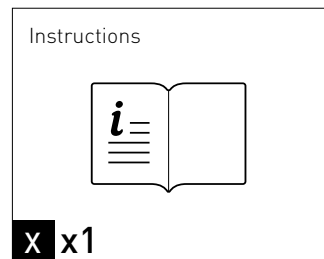
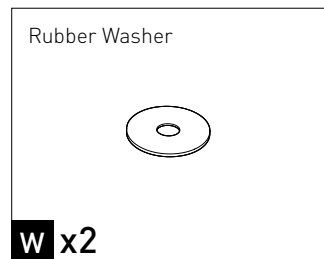
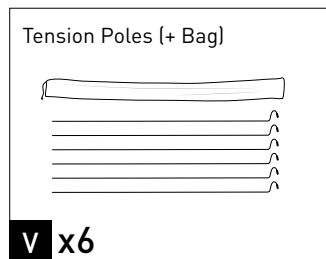
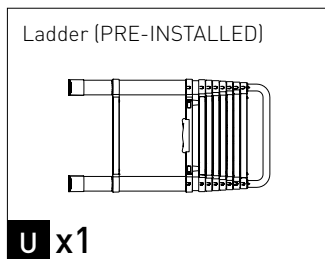
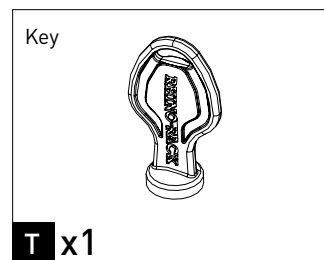
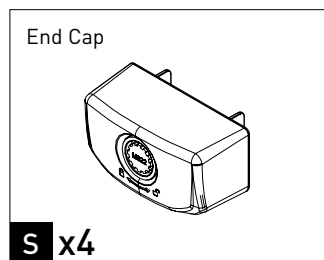
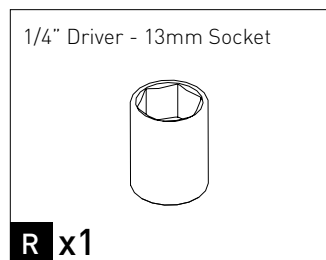
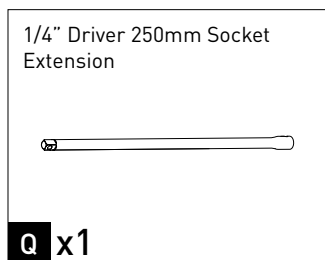
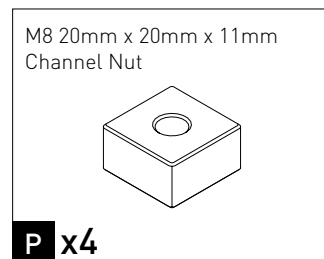
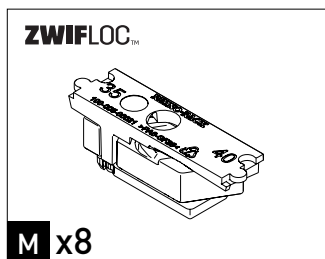
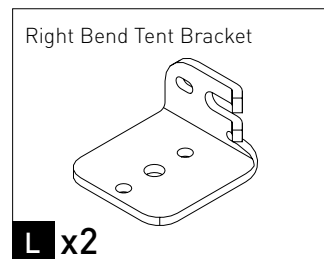
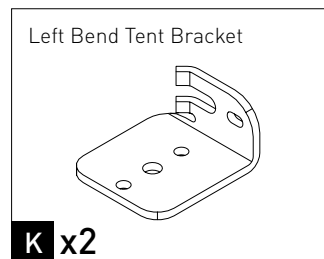
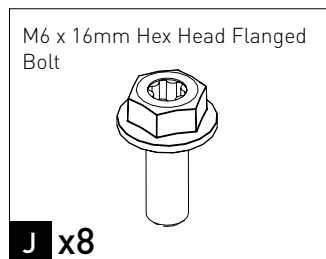
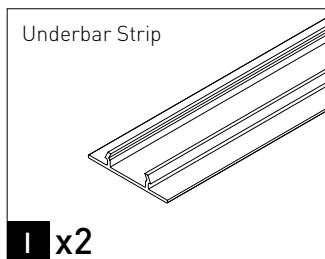
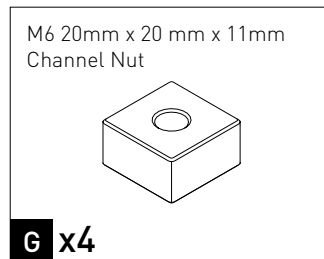
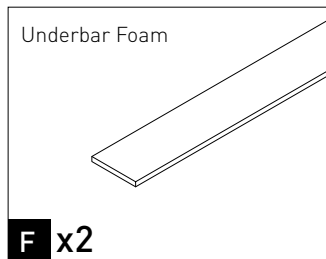
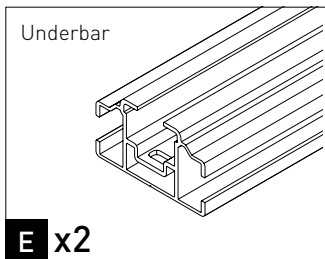
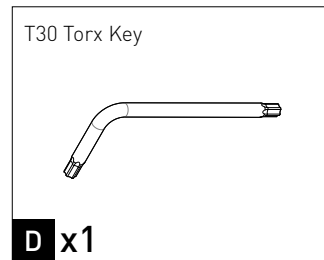
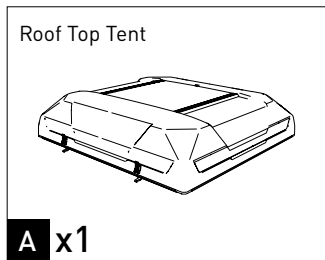
## OPENED DIMENSIONS



## OVERVIEW



**Parts**



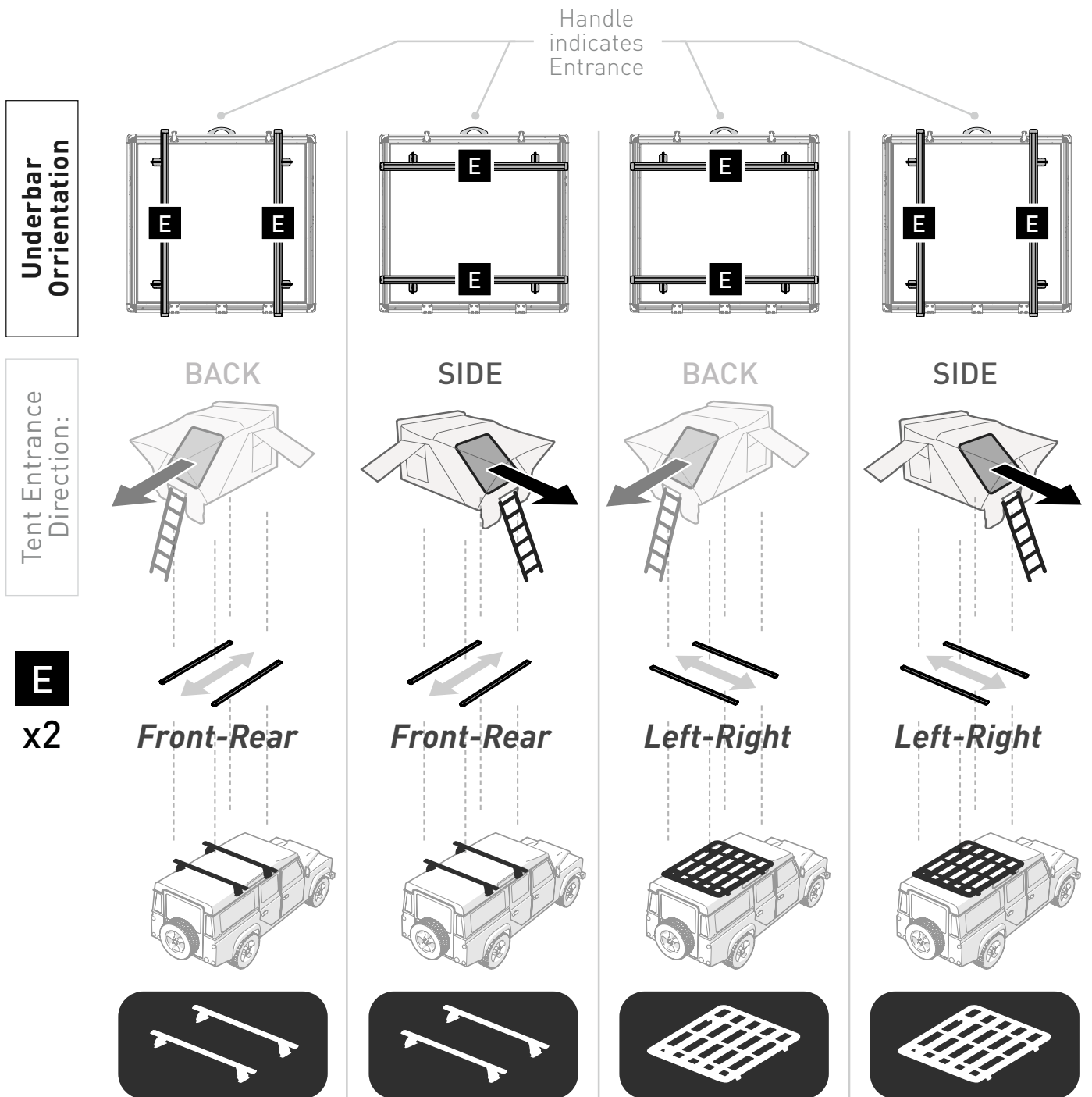
**TOOL REQUIRED:**

- T1** - x2 Large Towels / Table cloth
- T2** - Tape Measure
- T3** - Marker
- T4** - 1/4" Socket Ratchet
- T5** - 10mm Open Ended Spanner
- T6** - 2 x Step Ladders
- T7** - USB-A Powerbank (optional for included LED light bar)

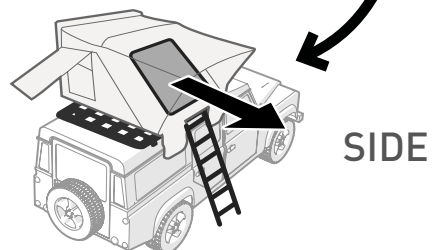
**Example:**

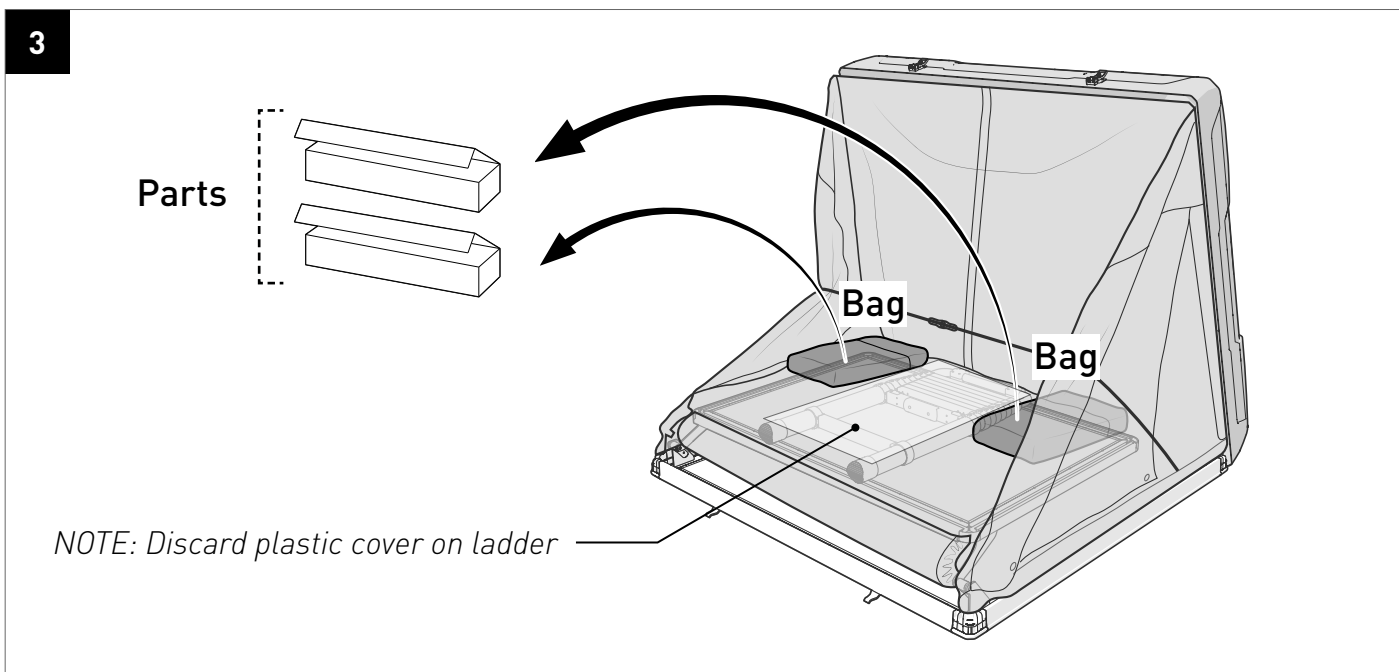
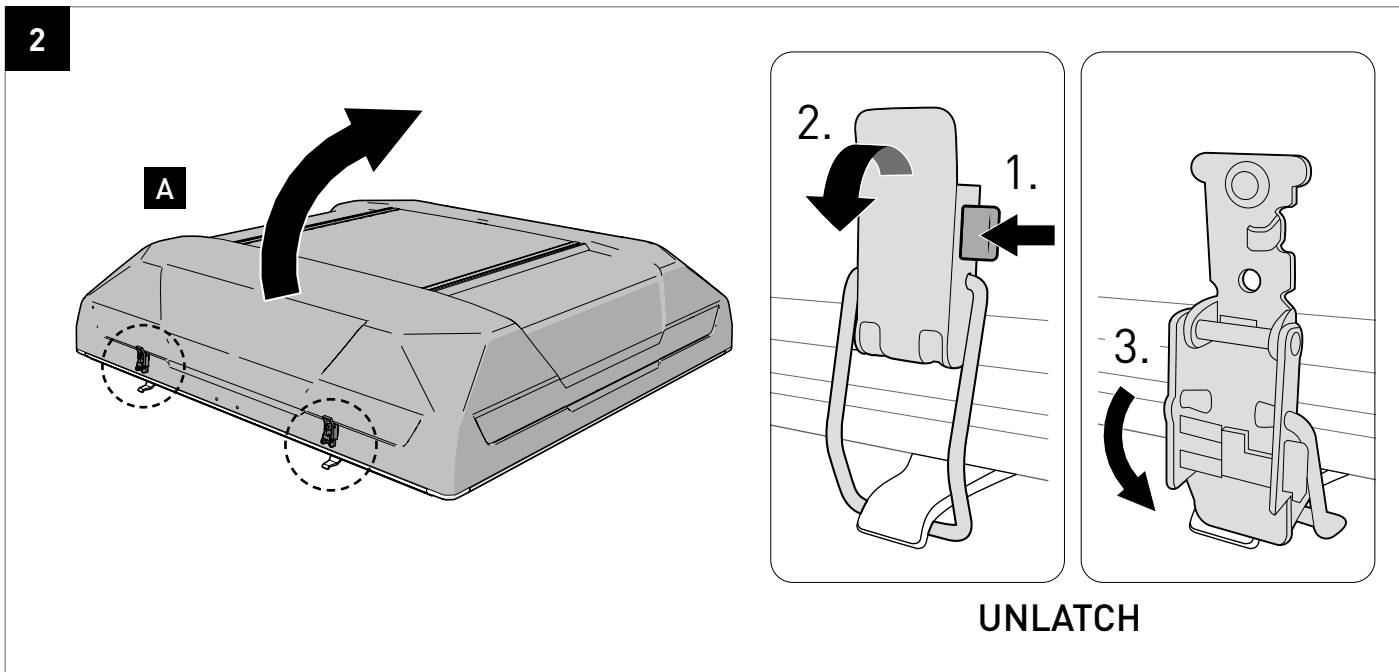
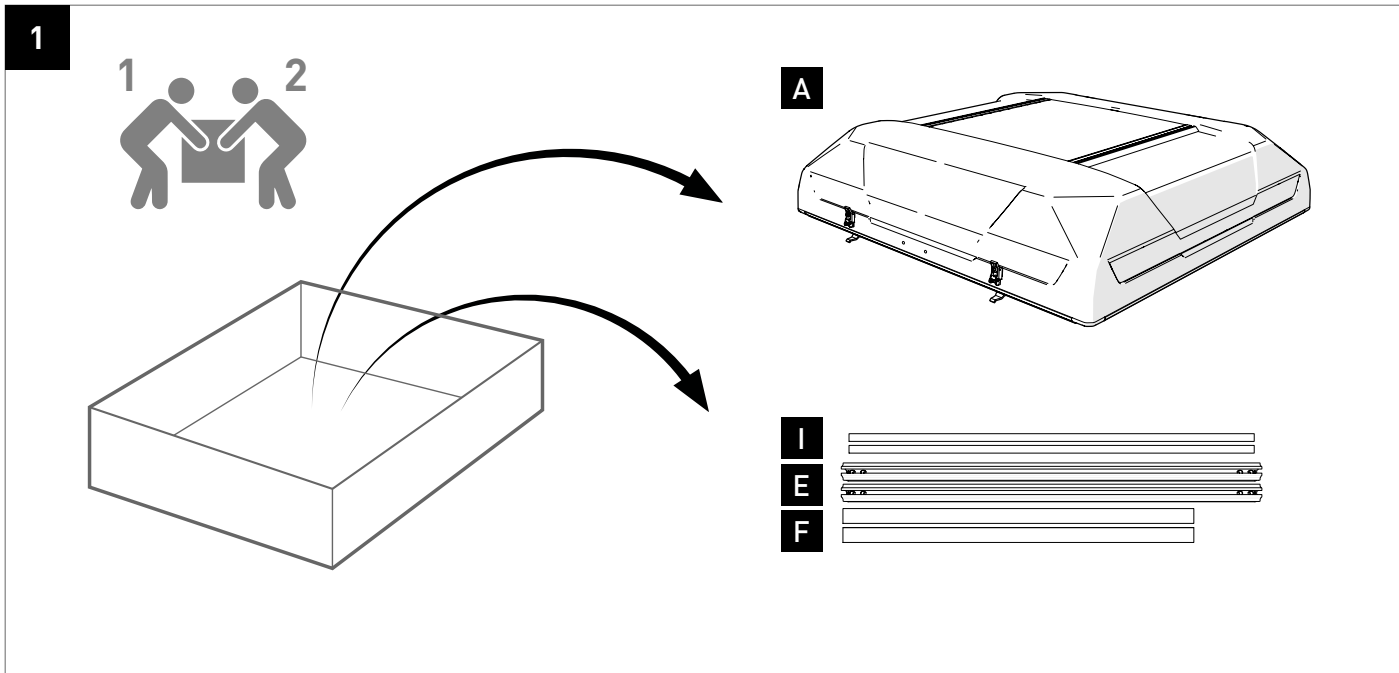


**IMPORTANT:** Underbars must run **perpendicular** to your Rack Set Up  
 Select Tent Entrance direction, then orient your underbars **Front-Rear / Left-Right** according to your Rack Set up as below:

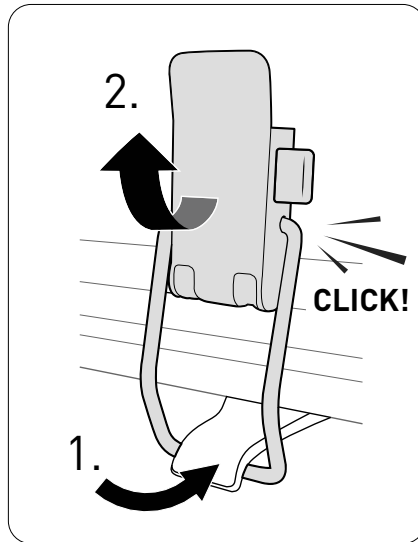
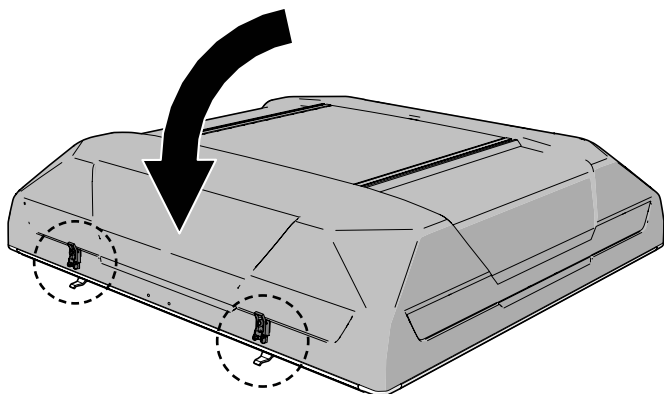


NOTE: The example configuration shown in this instruction is **Side opening** on a **Platform**





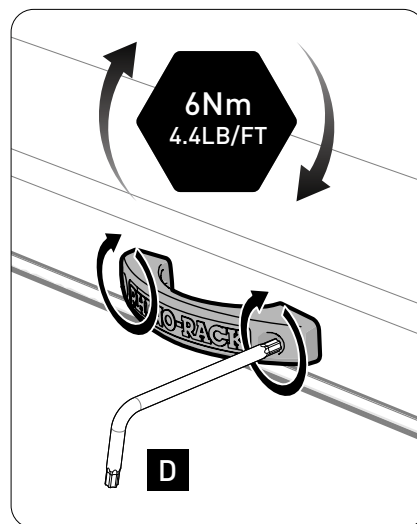
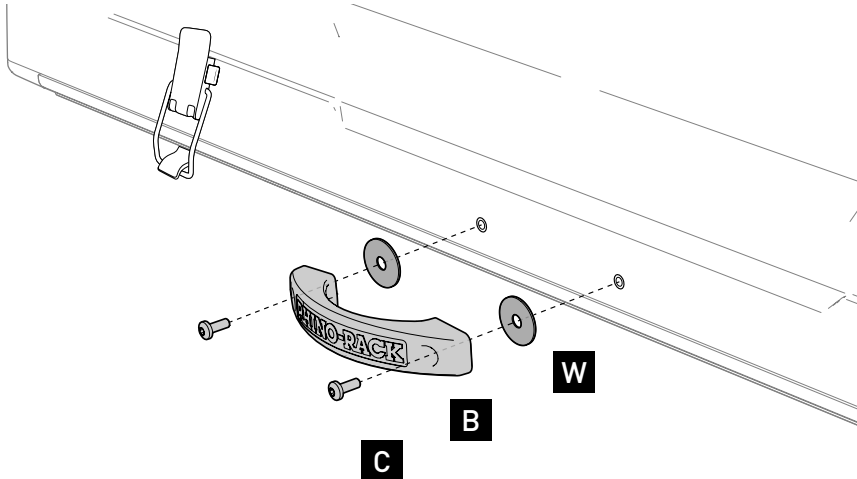
4



RELATCH

## INSTALLATION

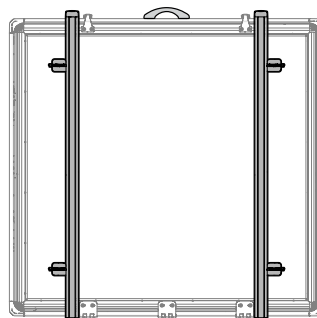
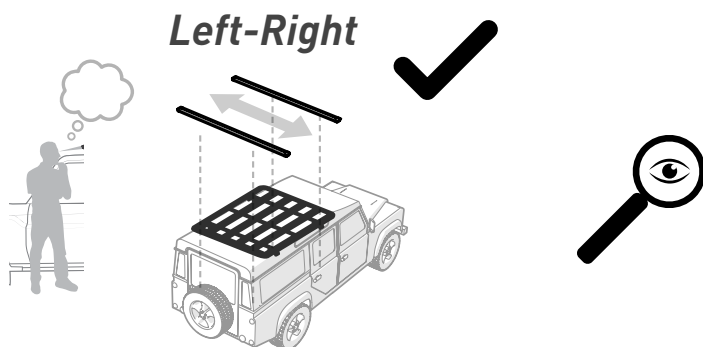
5



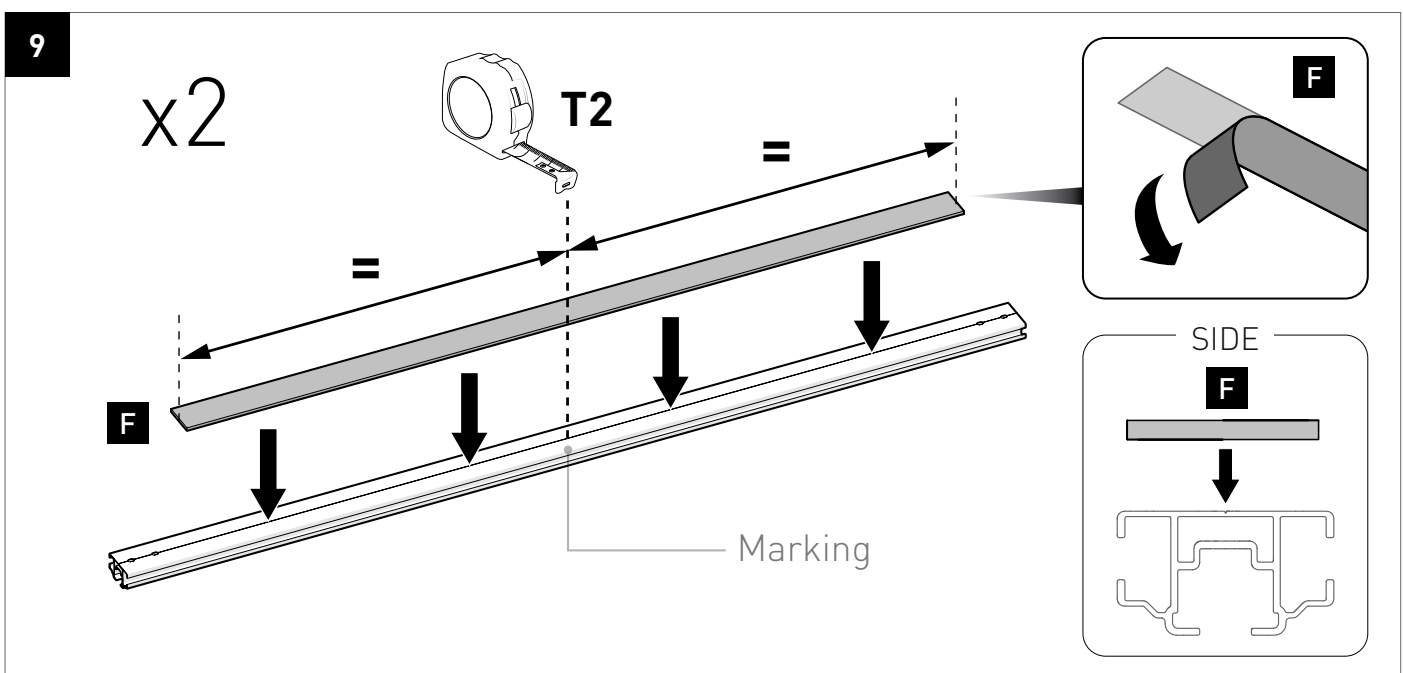
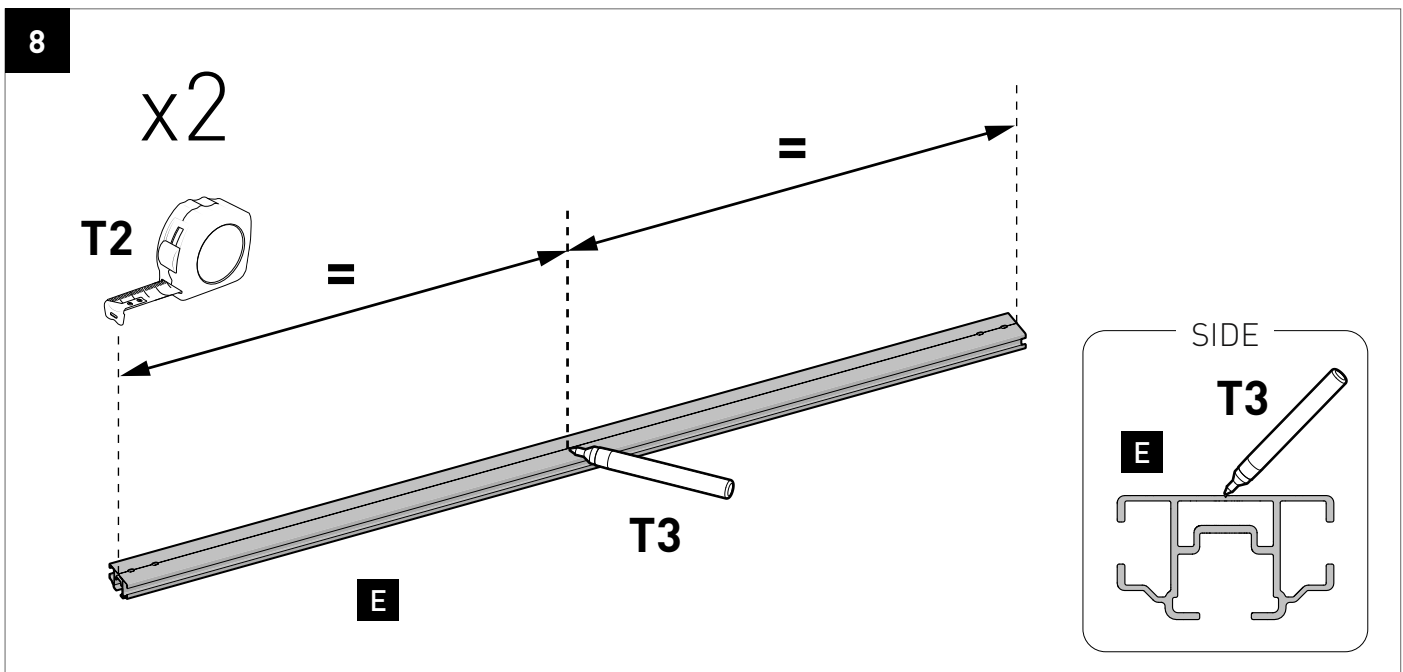
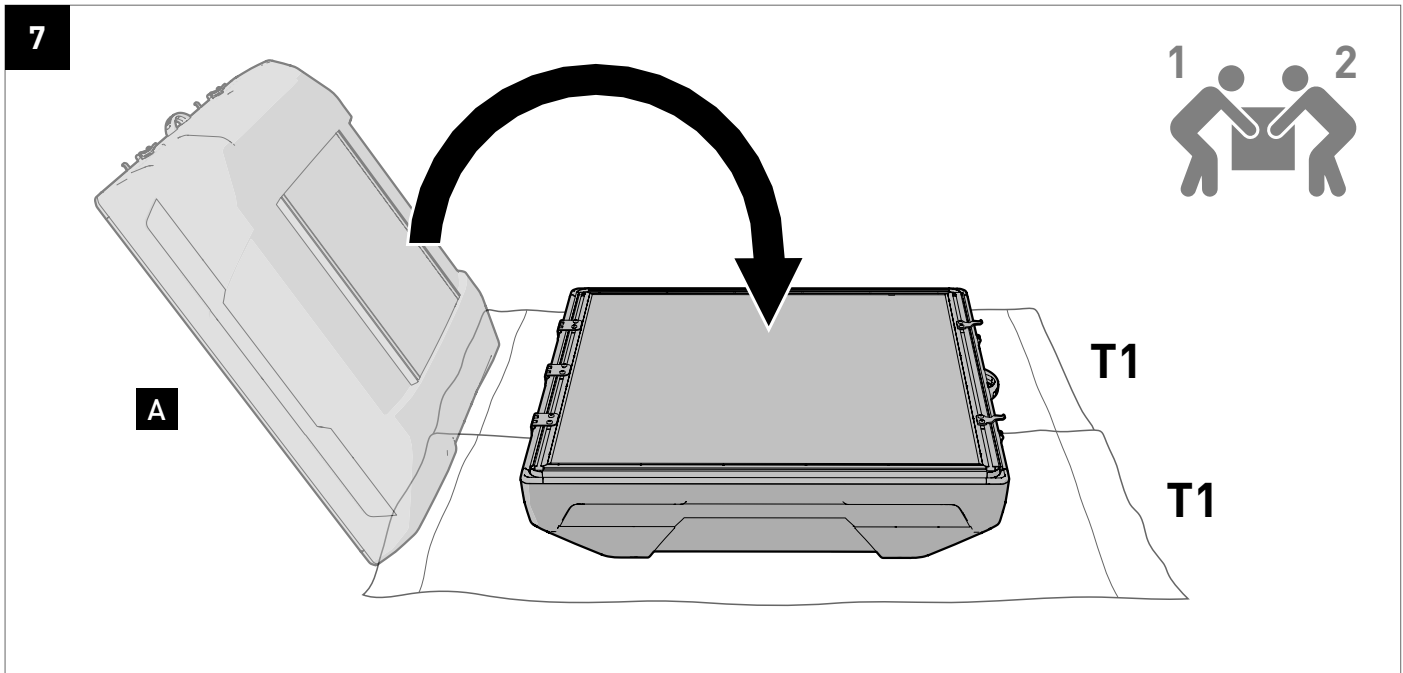
6

## PLAN YOUR INSTALLATION

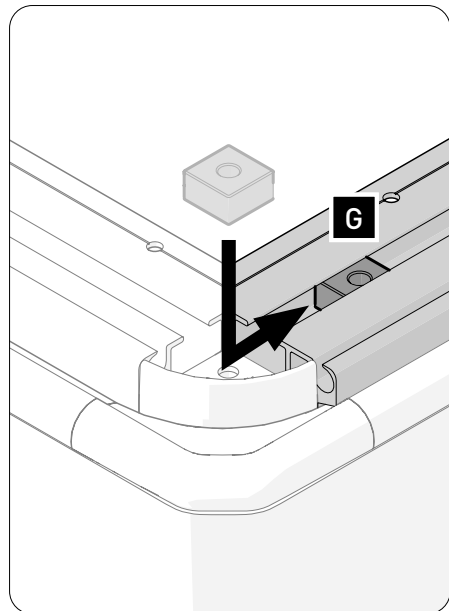
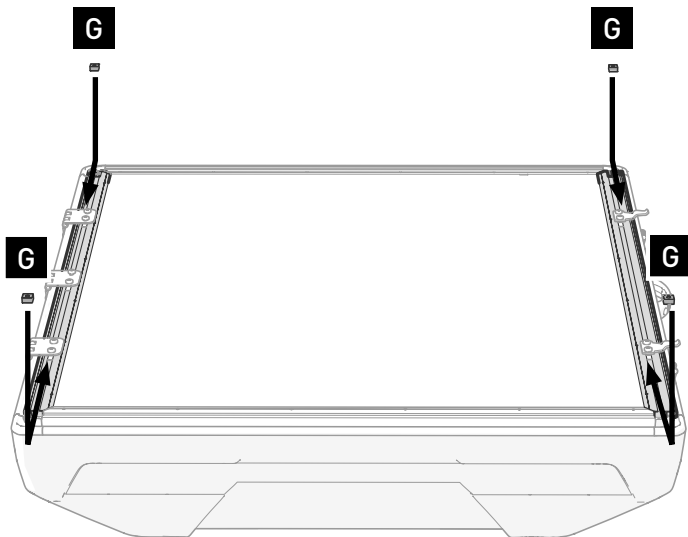
**IMPORTANT:** Underbars must run perpendicular to your Rack Set Up  
Refer to MOUNTING CONFIGURATIONS on Page 7 to determine **Underbar Orientation**



*NOTE: The example configuration shown in this instruction is **Side opening** on a **Platform***

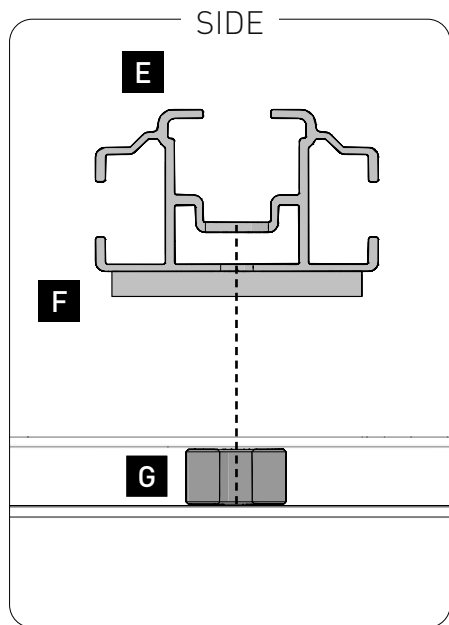
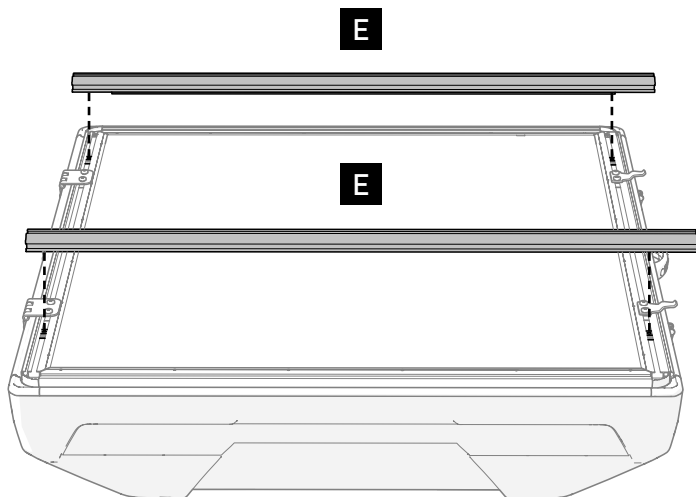


10

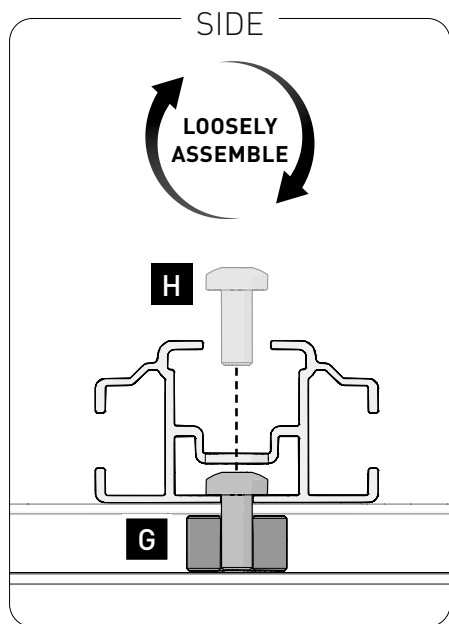
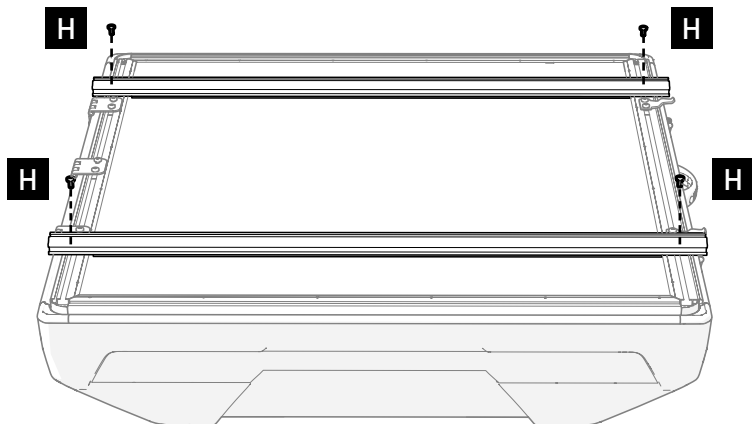


Use tracks appropriate to your **Underbar Orientation** from Page 7

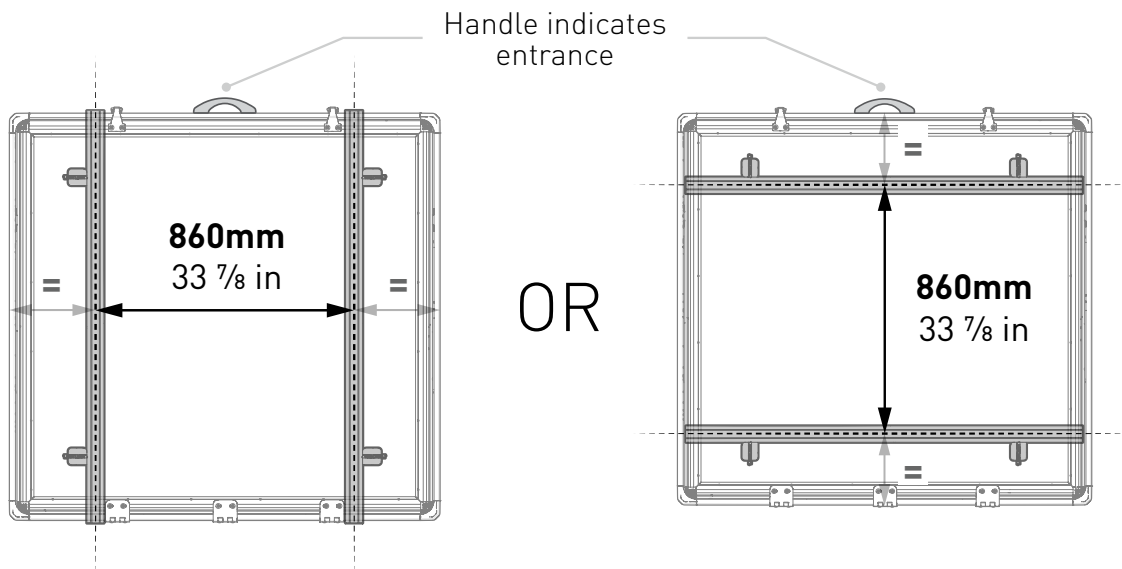
11



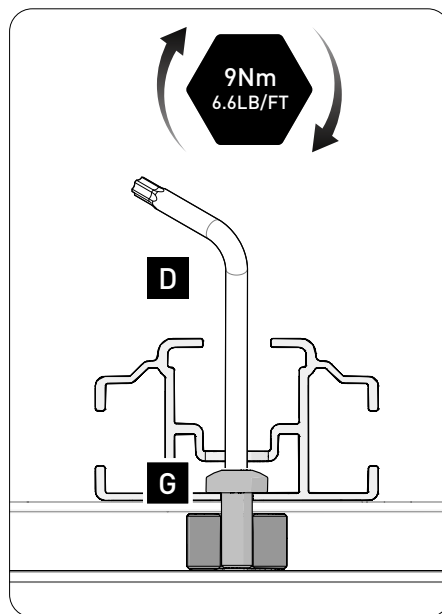
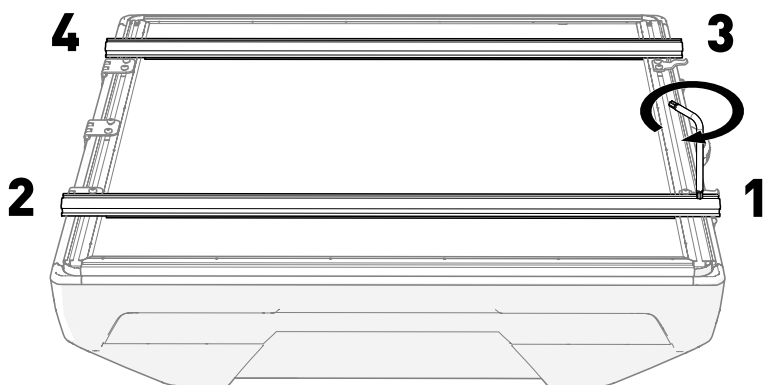
12



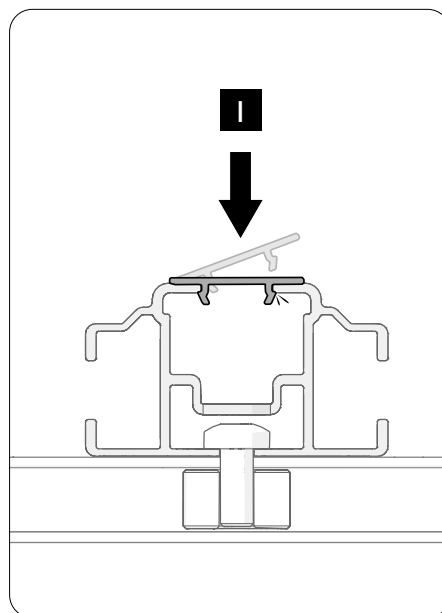
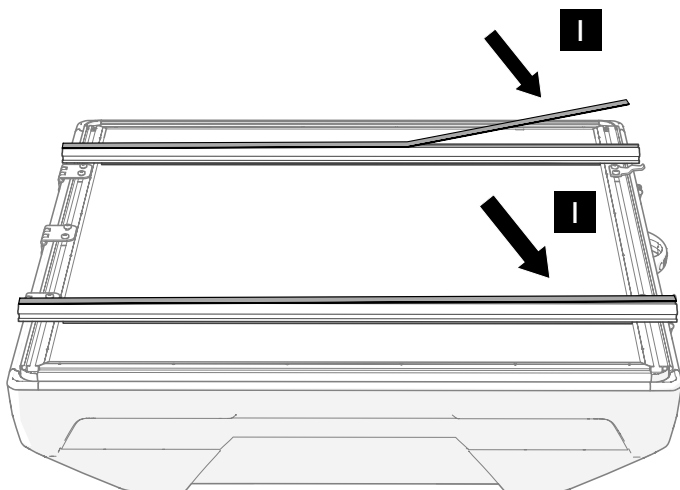
13



14

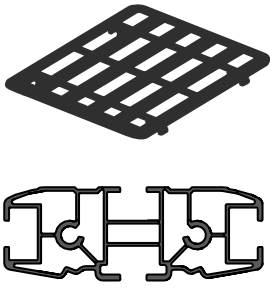


15



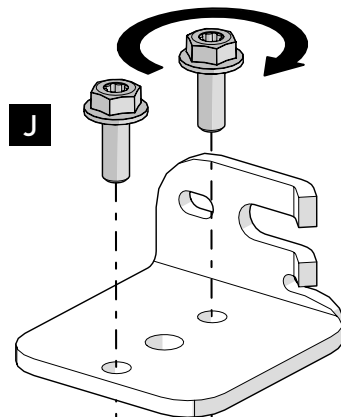
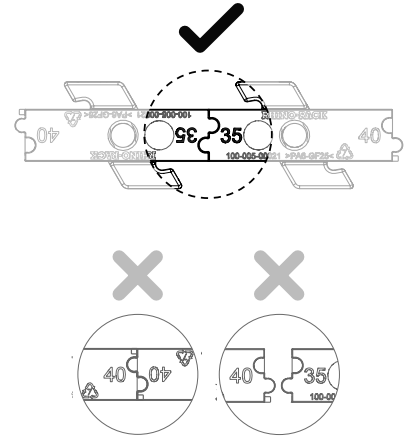
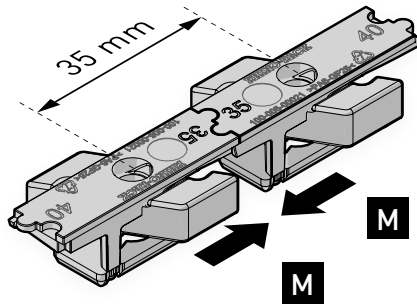


**16** FOR PIONEERS AND RECONN-DECK BARS:

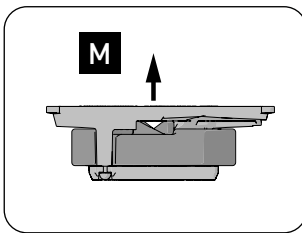


**35-35**  
35MM SPACING

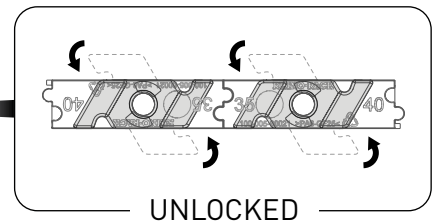
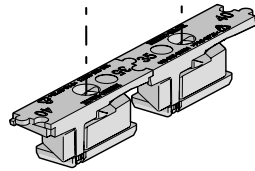
**X4**



**X4**



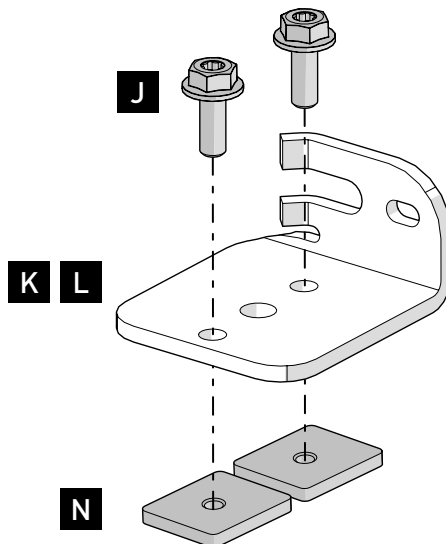
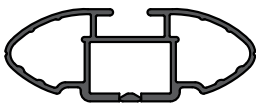
**M**



UNLOCKED

OR

FOR VORTEX BARS:

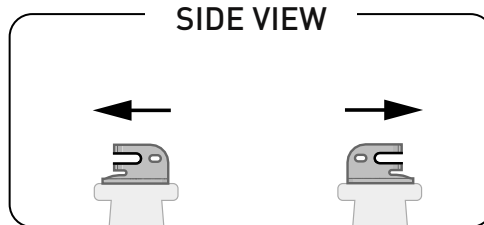
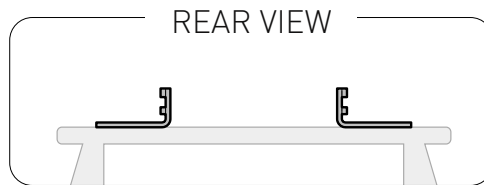
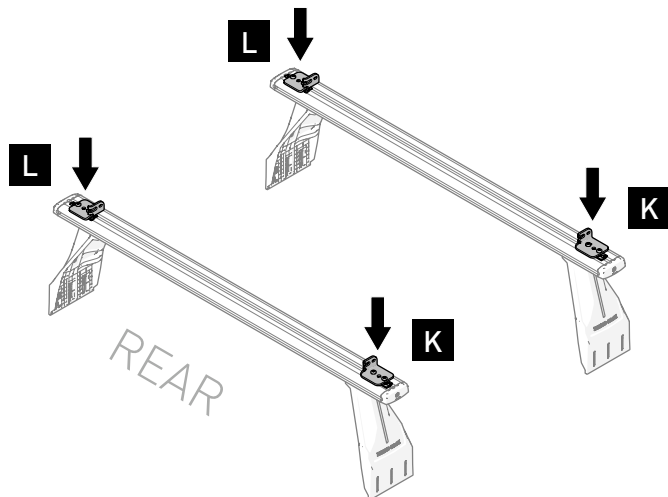


**X4**

17

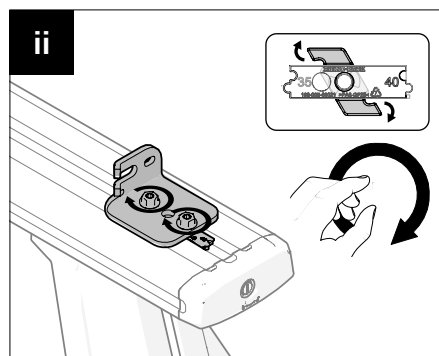
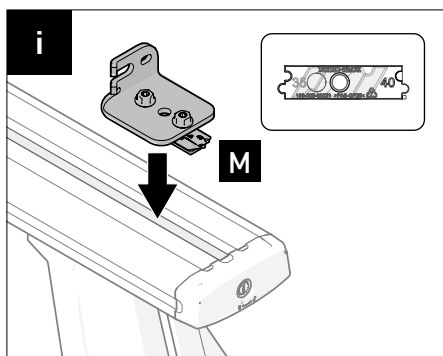


**FOR CROSS BARS** (For Platforms, Skip to **Step 19**)

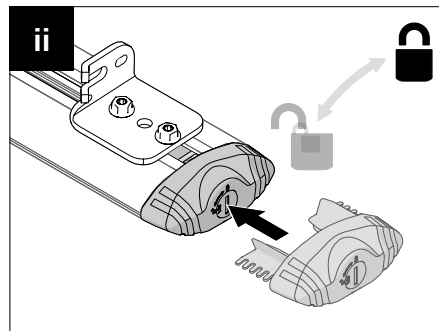
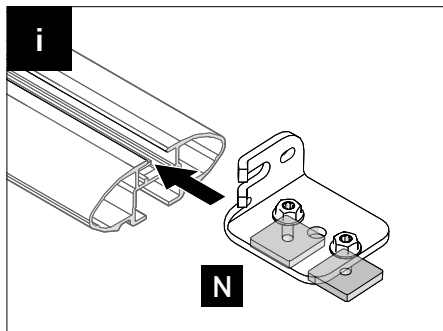


*U-shape to face OUTSIDE*

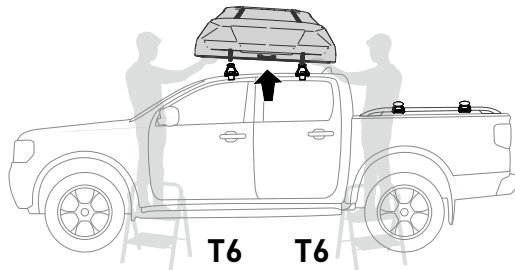
**FOR RECONN-DECK BARS:**



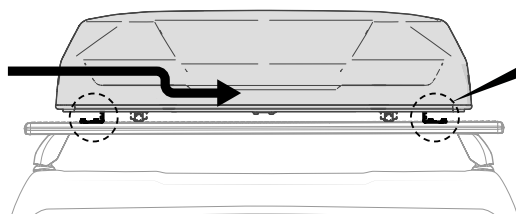
**FOR VORTEX BARS:**



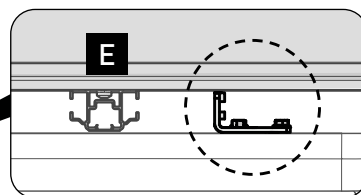
18



FRONT VIEW:



Brackets sit outboard from underbars

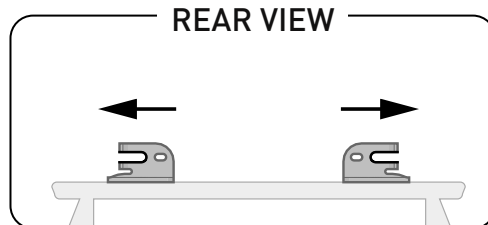
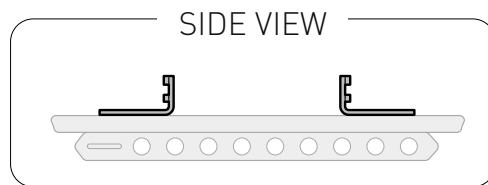
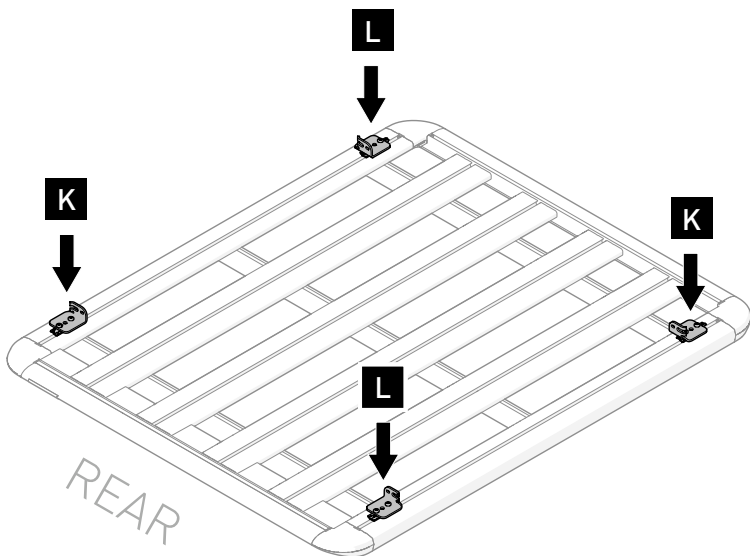


Proceed to Step **21**

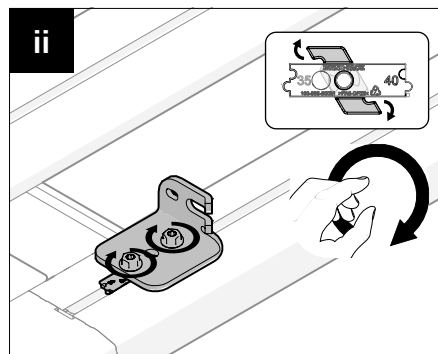
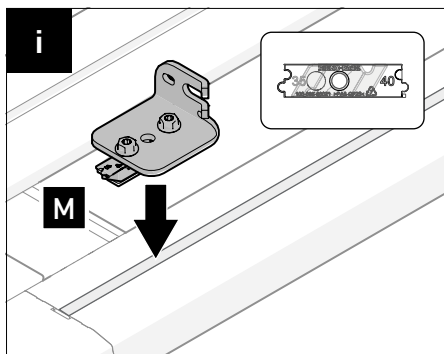
19



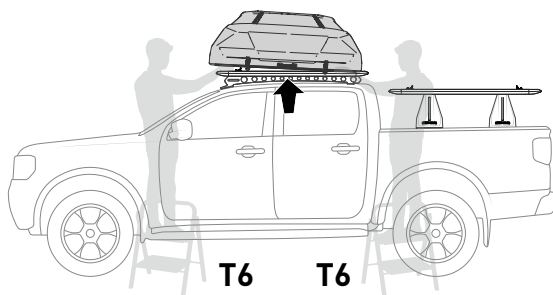
**FOR PLATFORMS** (For Cross Bars, Skip to Step 21)



**U-shape** to face **OUTSIDE**

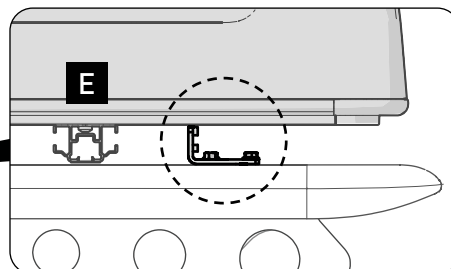


20



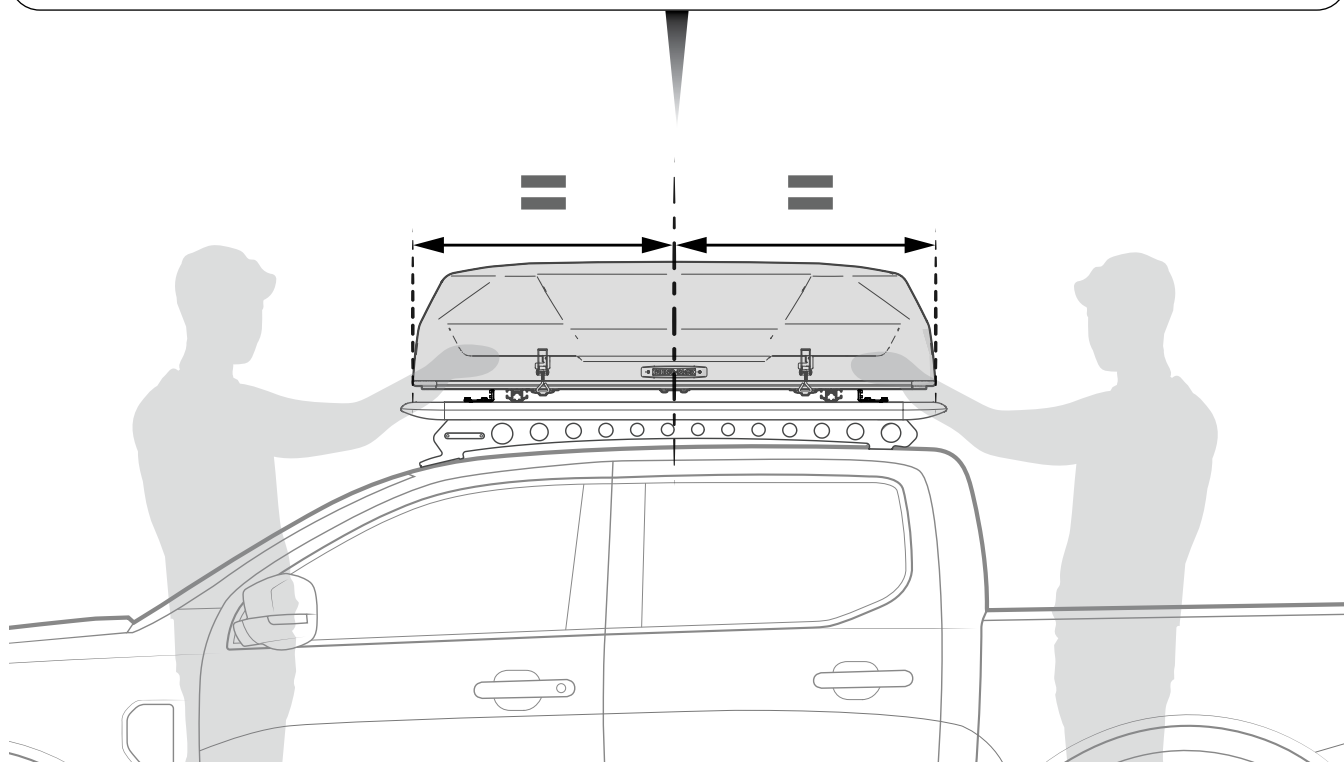
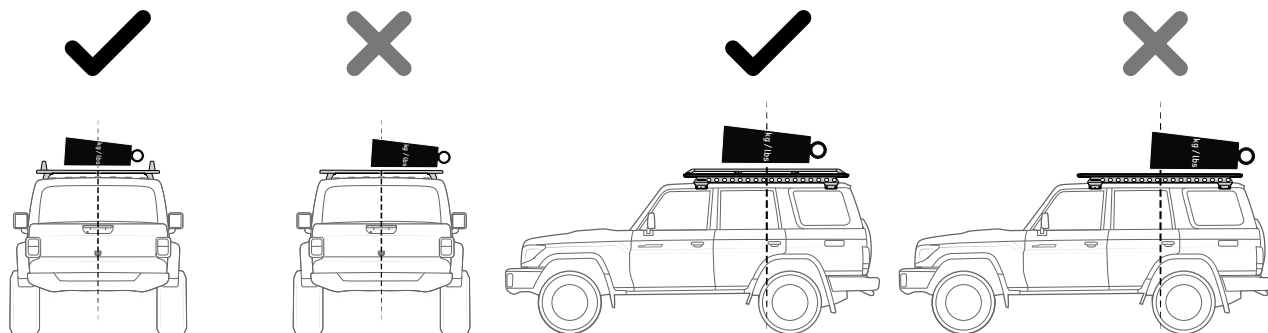
SIDE VIEW:

Brackets sit outboard from underbars

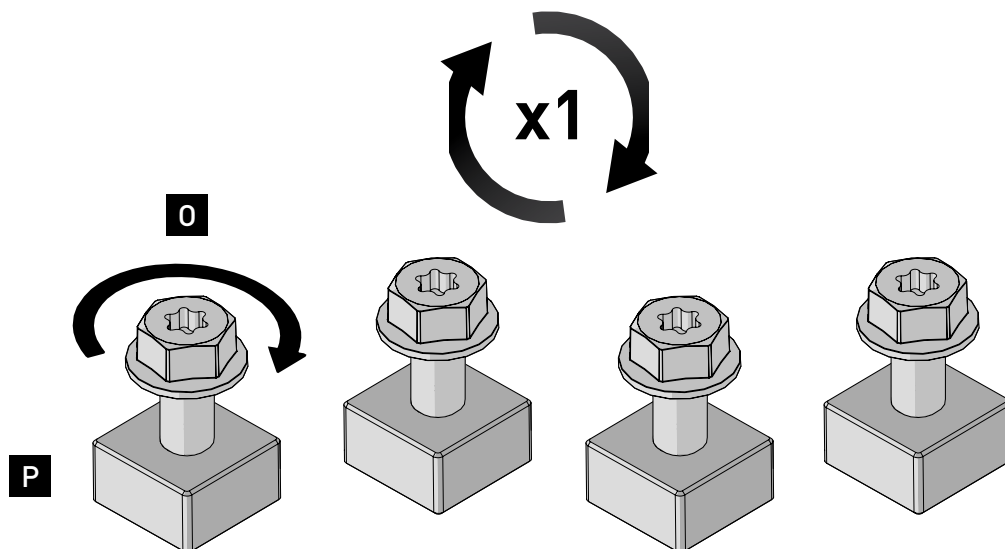


21

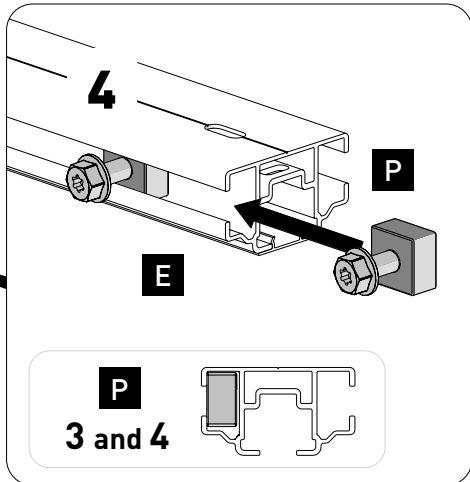
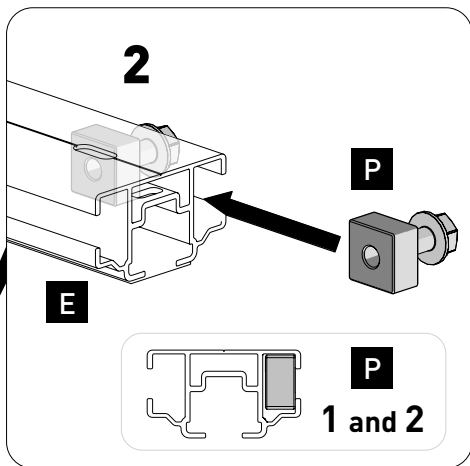
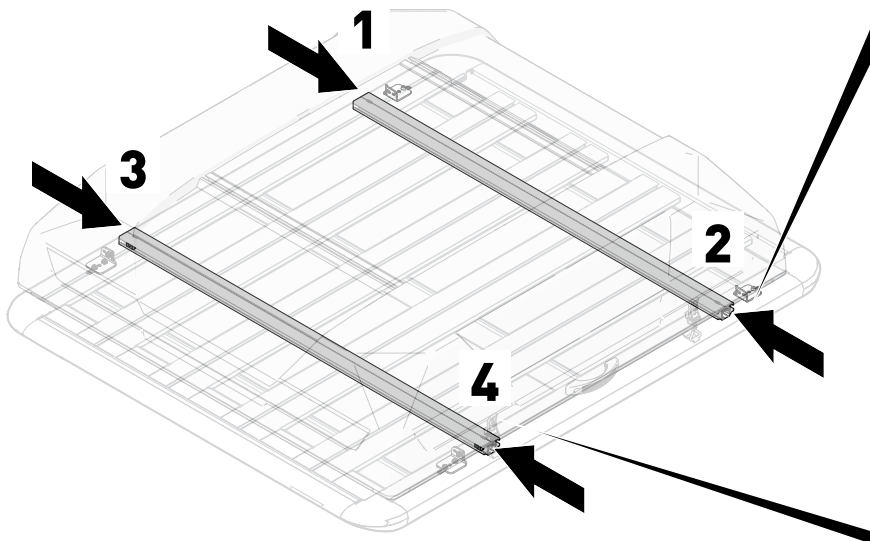
Distribute the tent to the centre of the roof rack system. Avoid point loads concentrated at the front or rear.



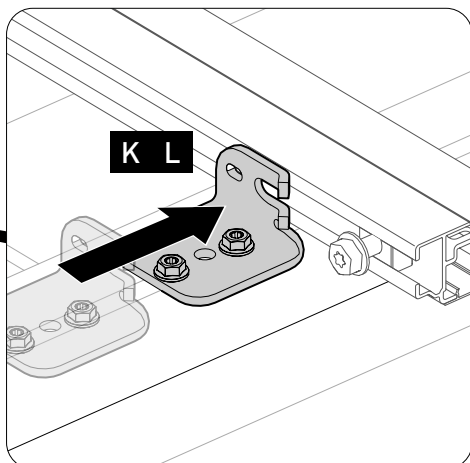
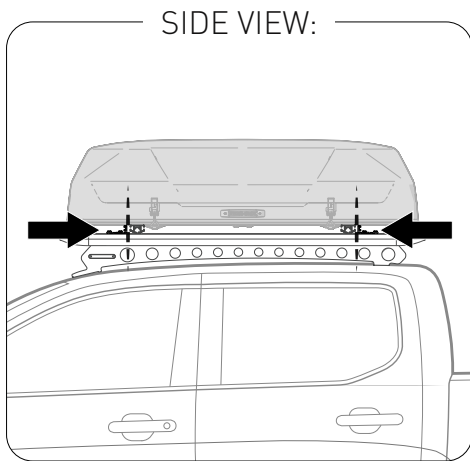
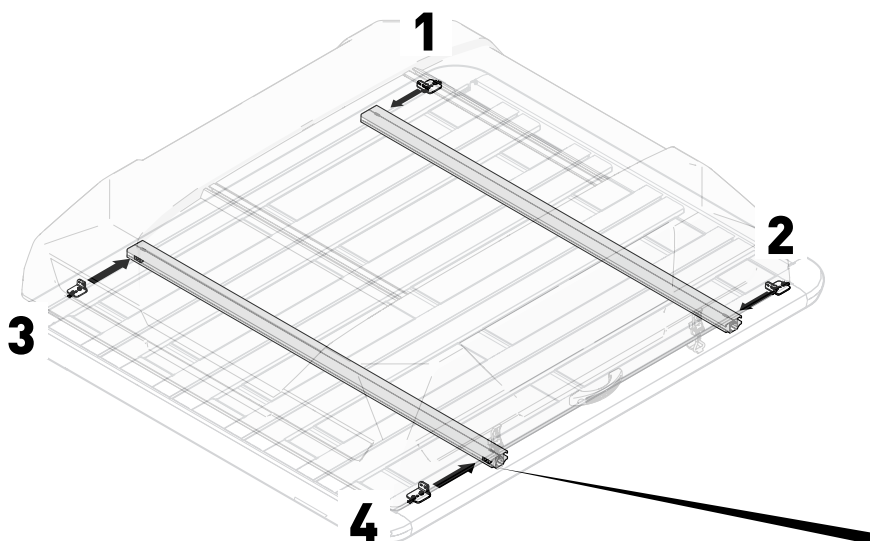
22



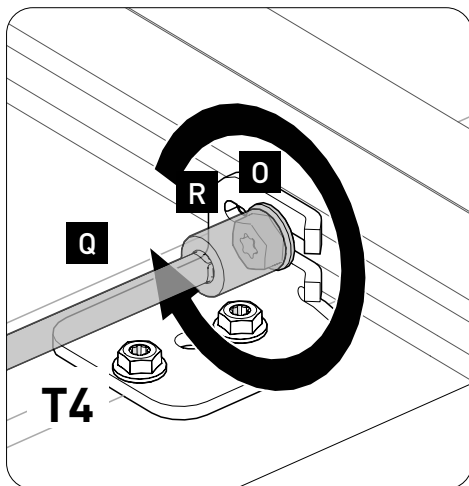
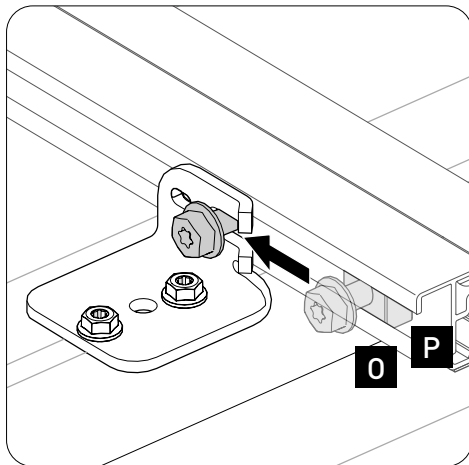
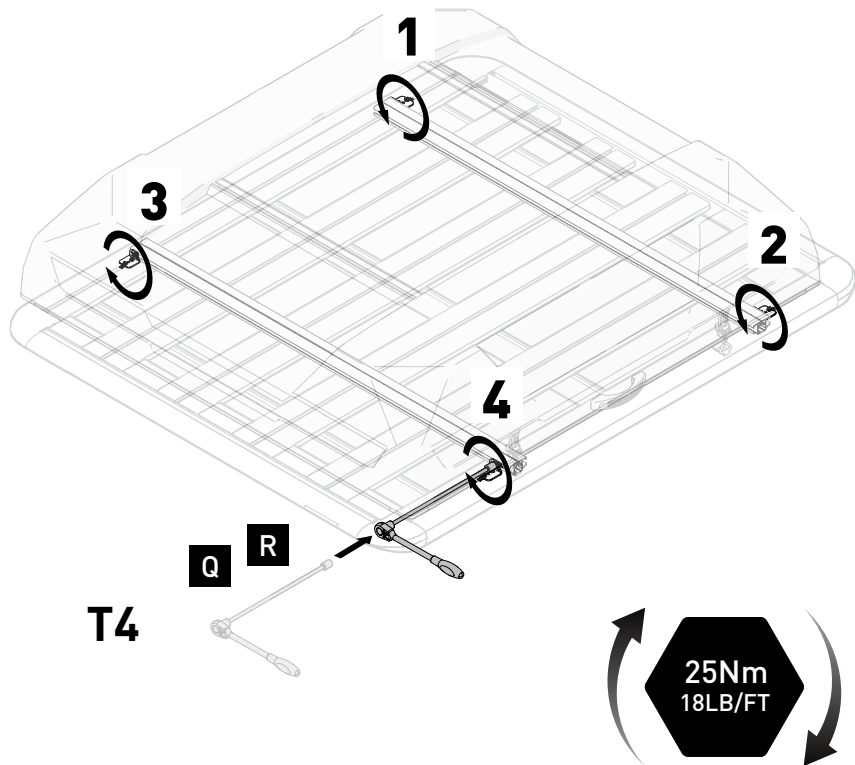
**23** NOTE: Example depicts Pioneer Platforms. Also applies to Cross Bars



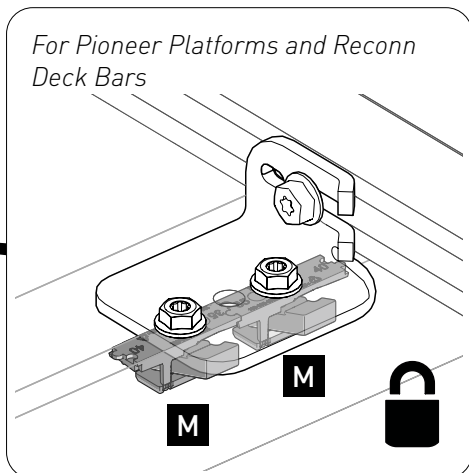
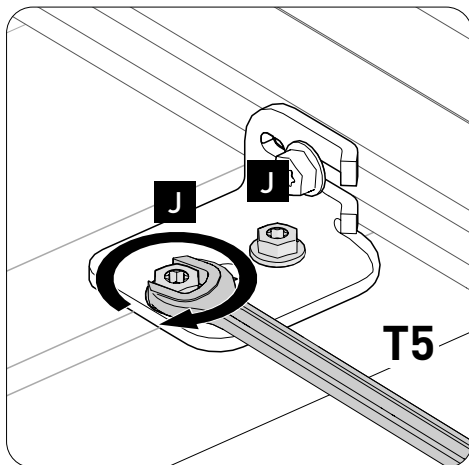
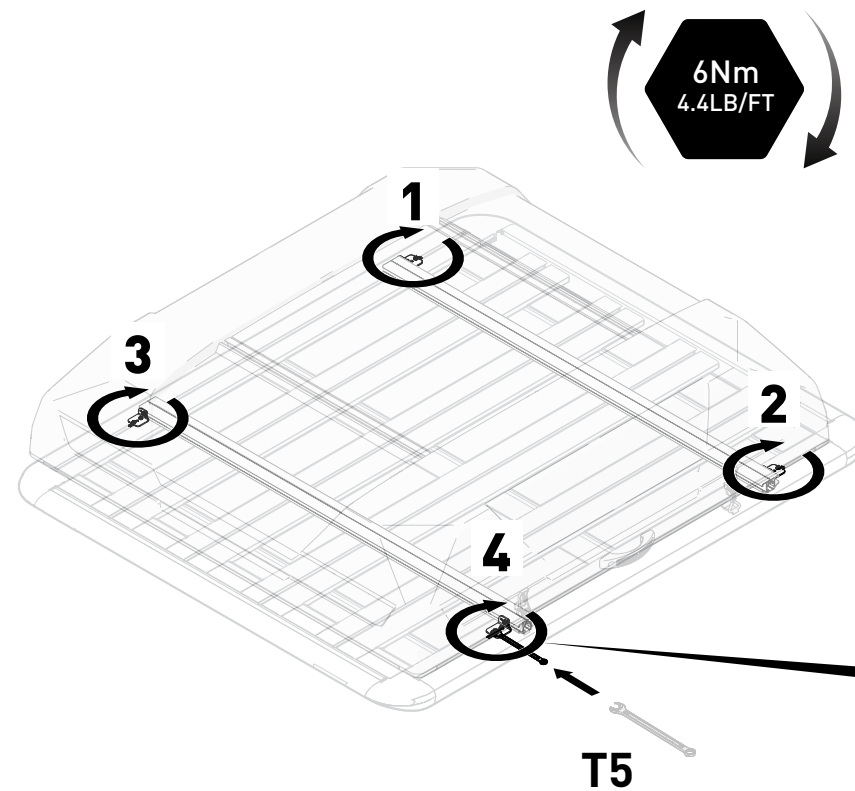
**24**



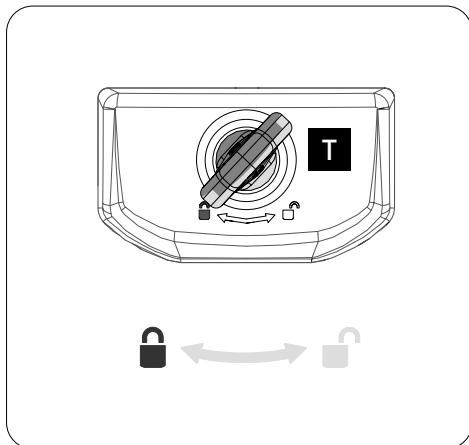
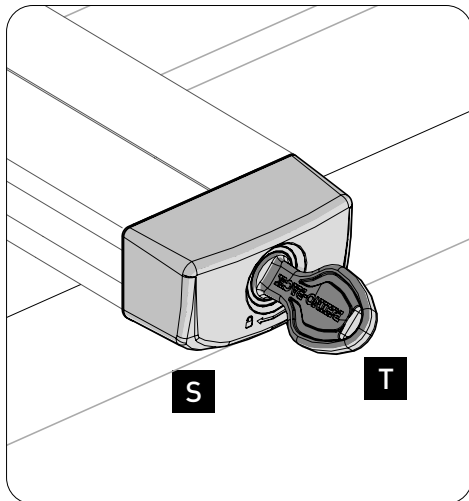
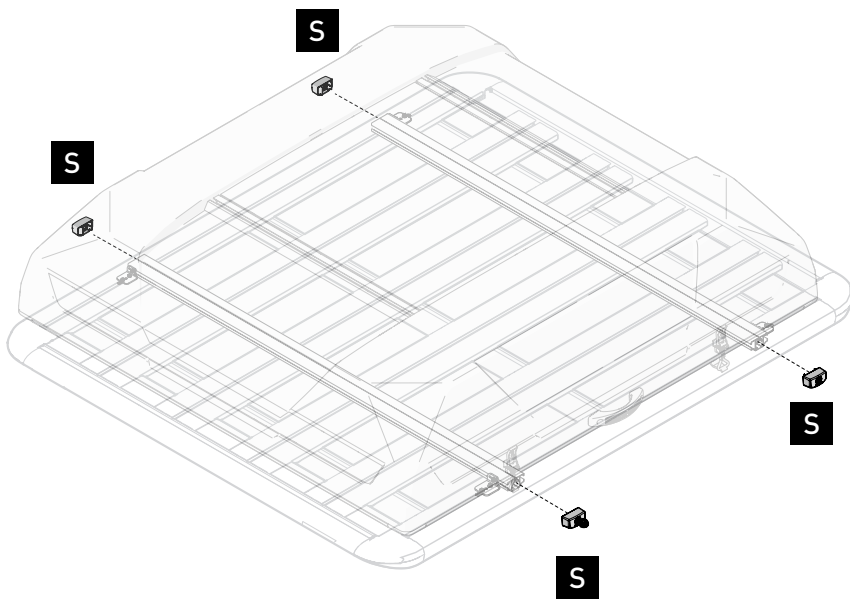
25



26

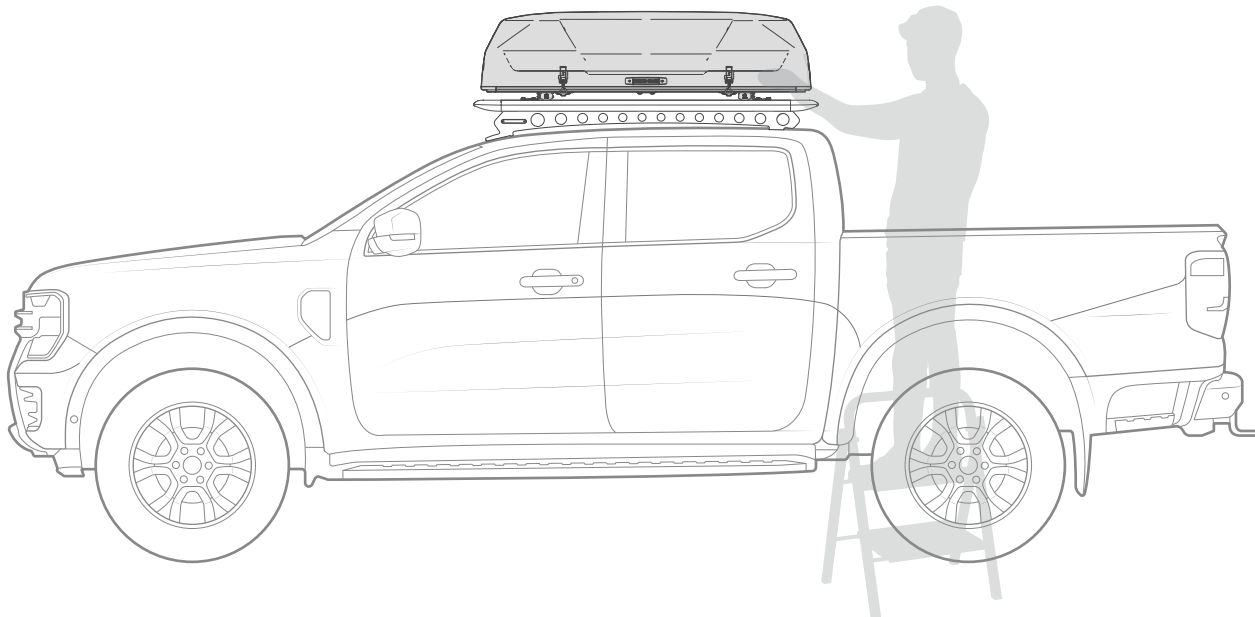


27



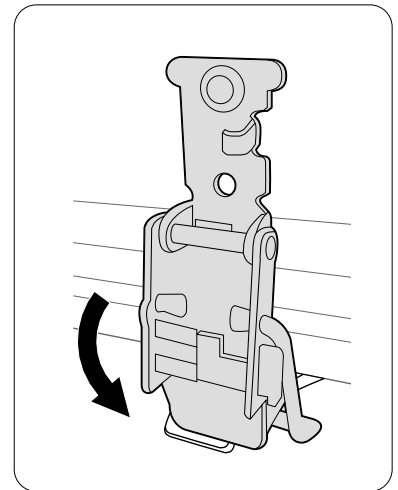
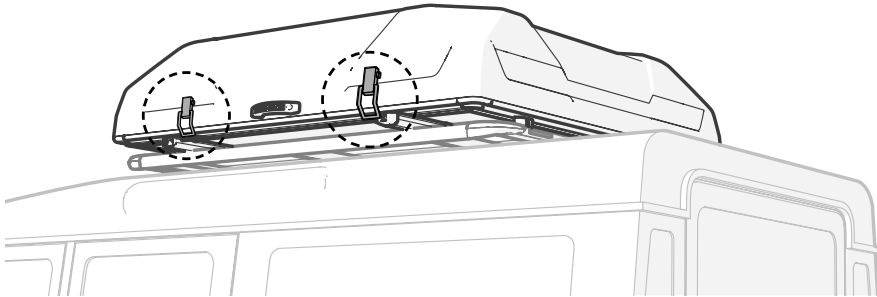
28

CHECK FITMENT IS SECURE



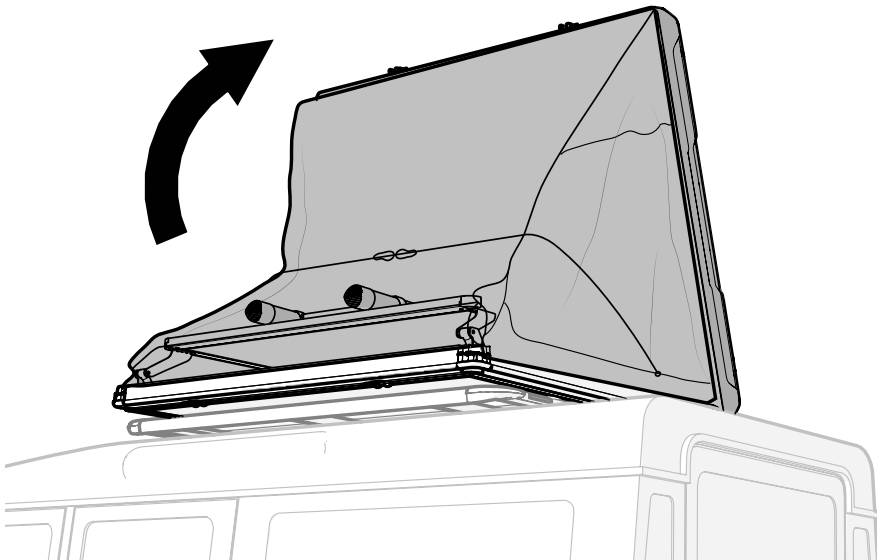


29



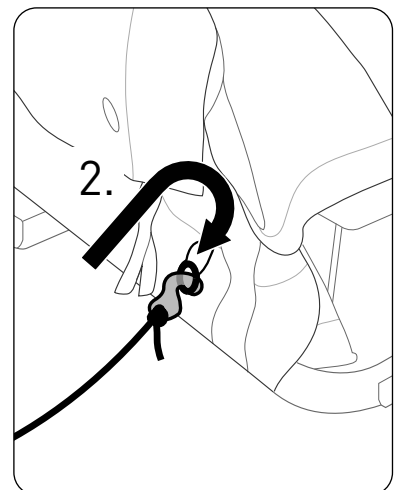
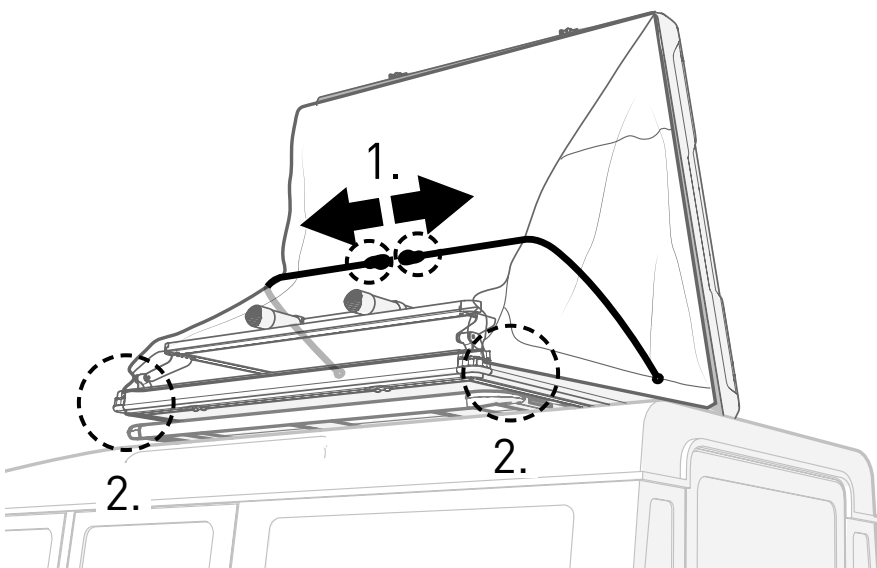
UNLATCH

30



Gas struts will automatically open the tent fully.

31



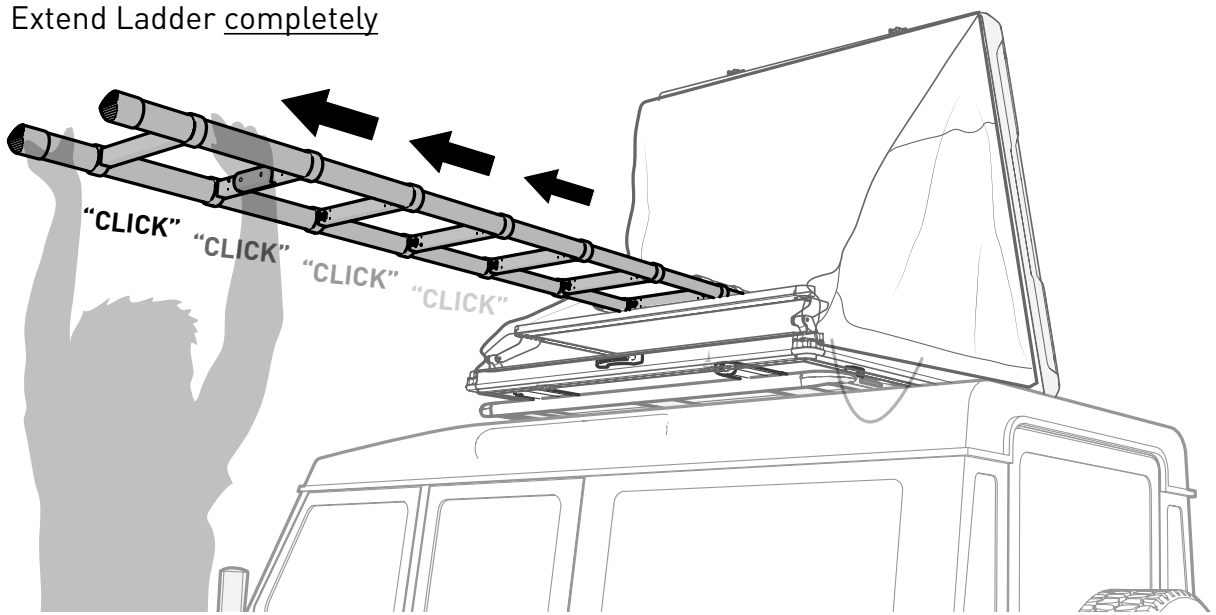
Hook bungee cord into each side loop



32

Extend Ladder completely

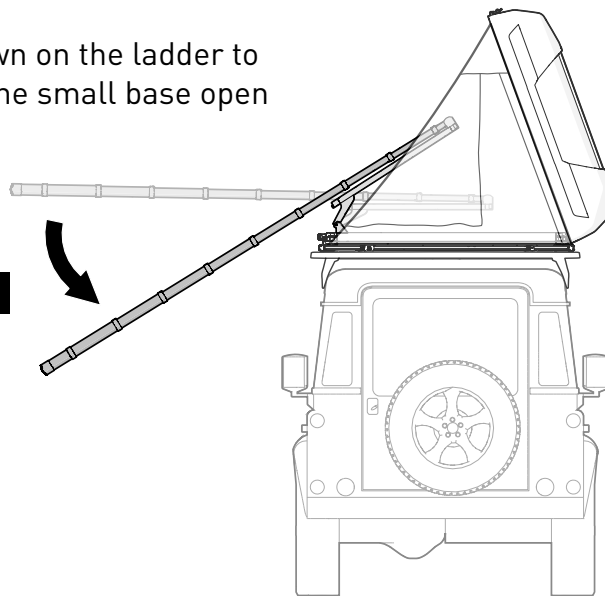
B



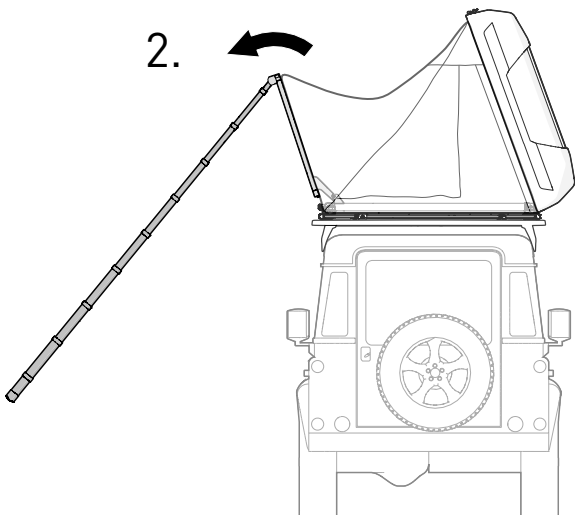
33

1. Pull down on the ladder to "lever" the small base open

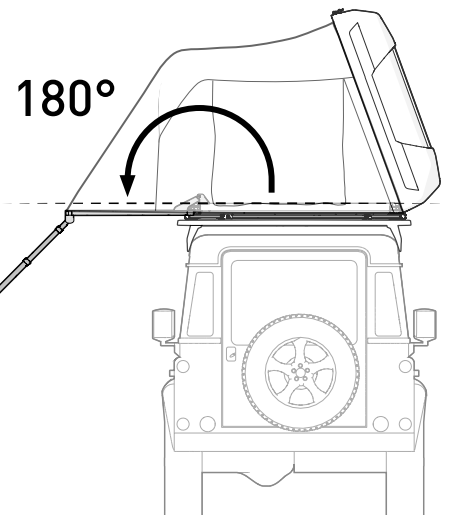
B

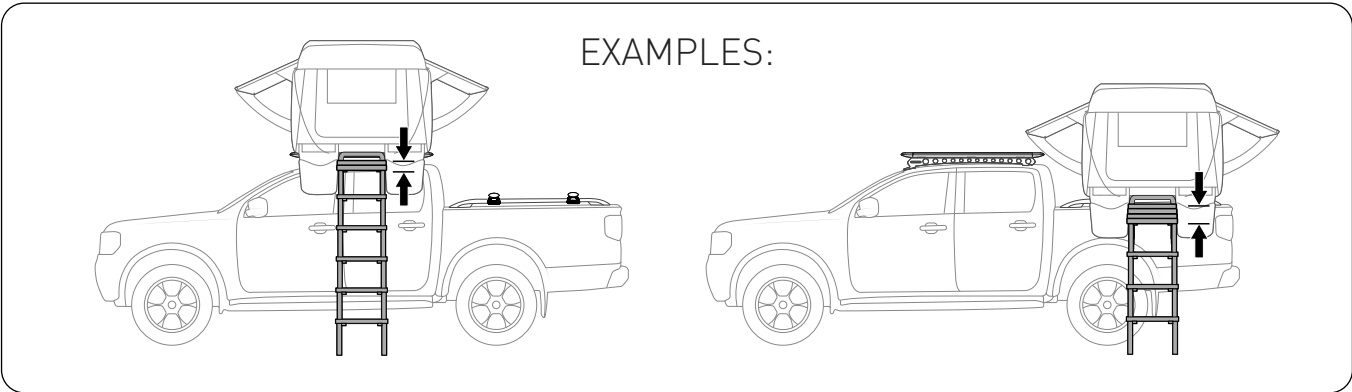
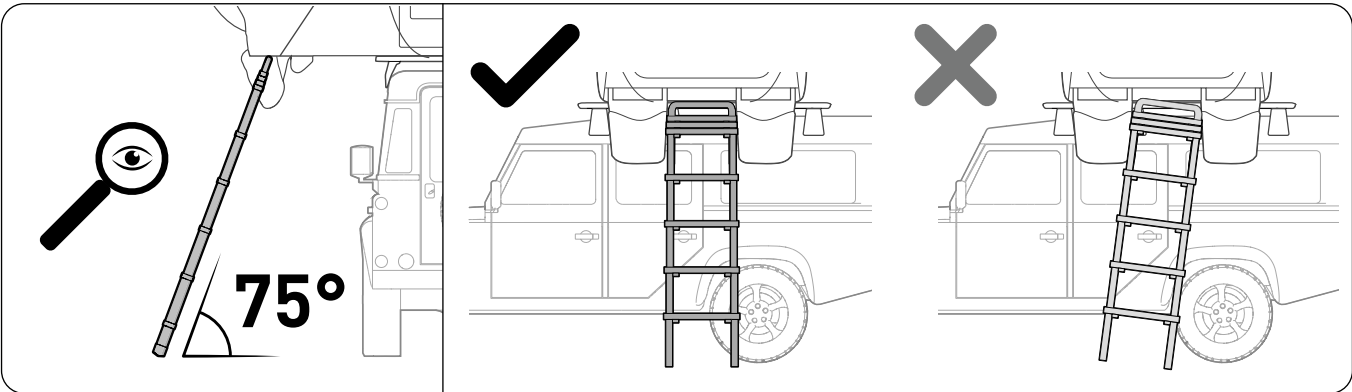
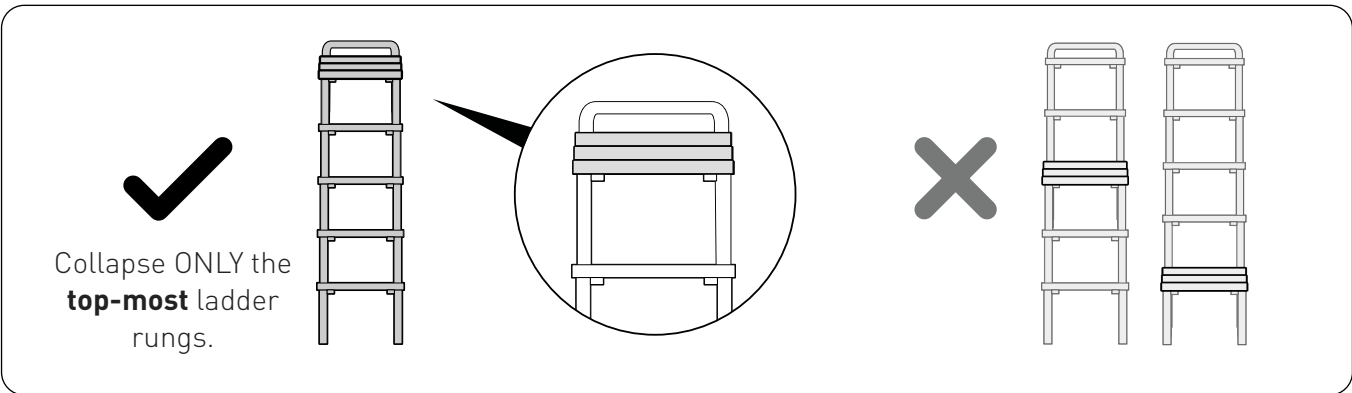
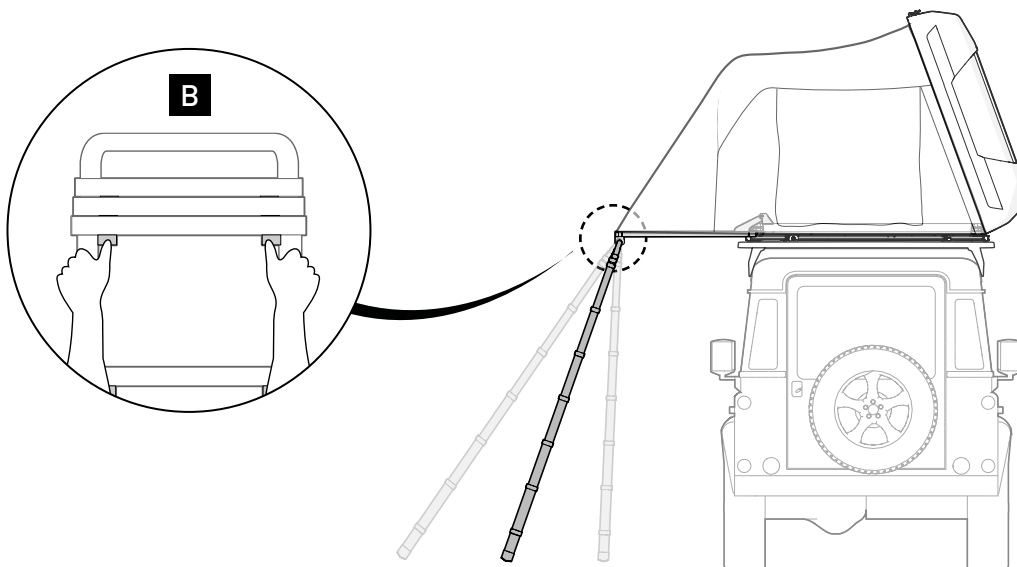


2.



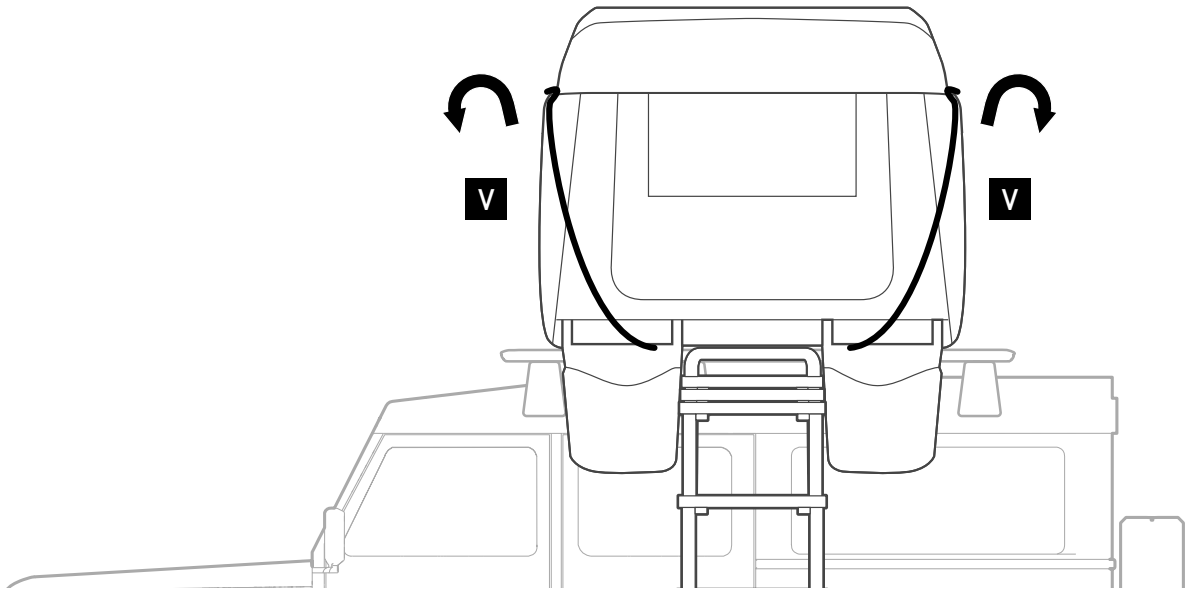
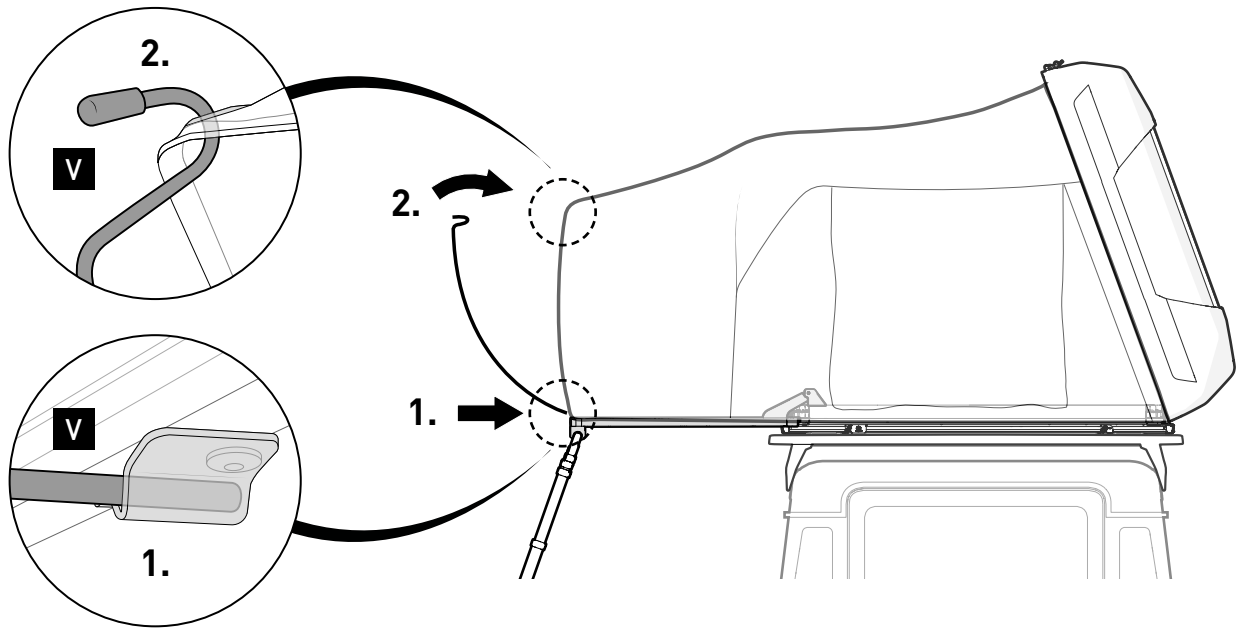
3.





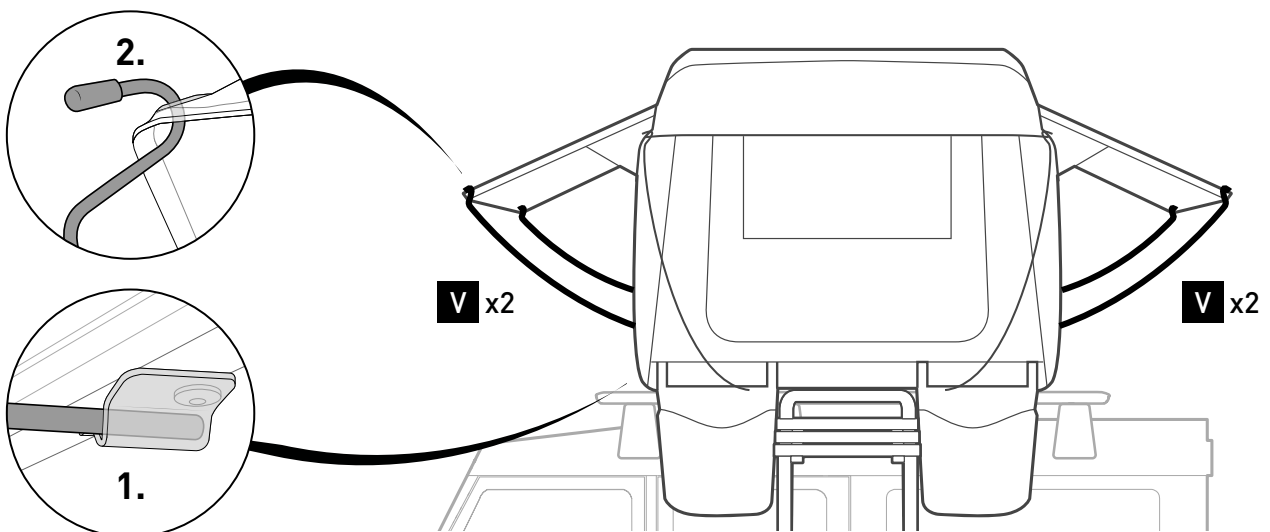
When adjusting the height of the ladder, make sure that it is securely fastened with a “click”  
**CHECK LADDER RUNGS ARE LOCKED IN PLACE BEFORE ATTEMPTING TO CLIMB LADDER**

35

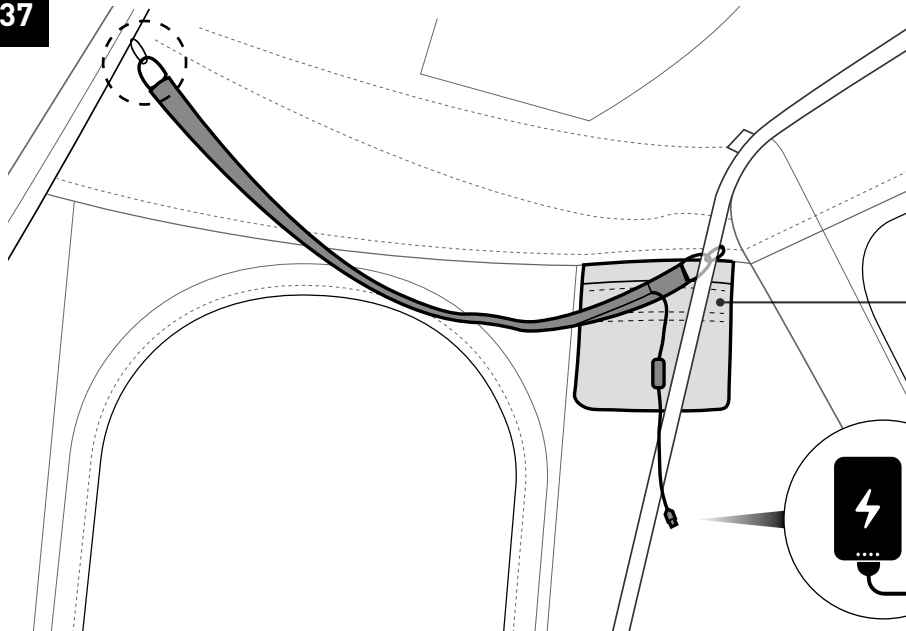


36

Repeat process for side windows (x2 tension poles per side)



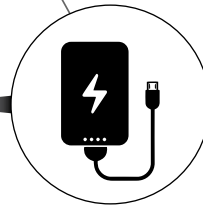
37



Tent comes equipped with an internal light bar.

Light bar attaches onto corner hooks.

Portable Power Bank and USB-A cord can be stored in ceiling pocket.



**T7** Portable USB-A Power Bank

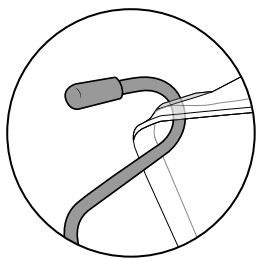
TENT STOWAGE - TAKEDOWN

38

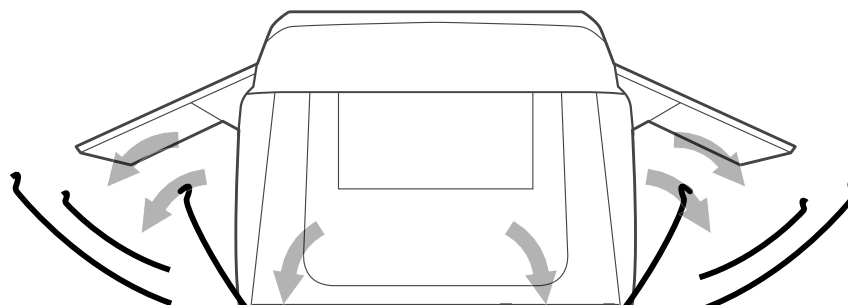


- Make sure there are no sharp items left in the tent.
- Allow tent to dry completely before stowing.
- Close the zippers of the doors and windows most of the way, leaving them slightly open to allow the tent to air out while it is folded.

**NOTE:** For ease of future setup, bedding can be left inside. Ensure tent is still able to close fully



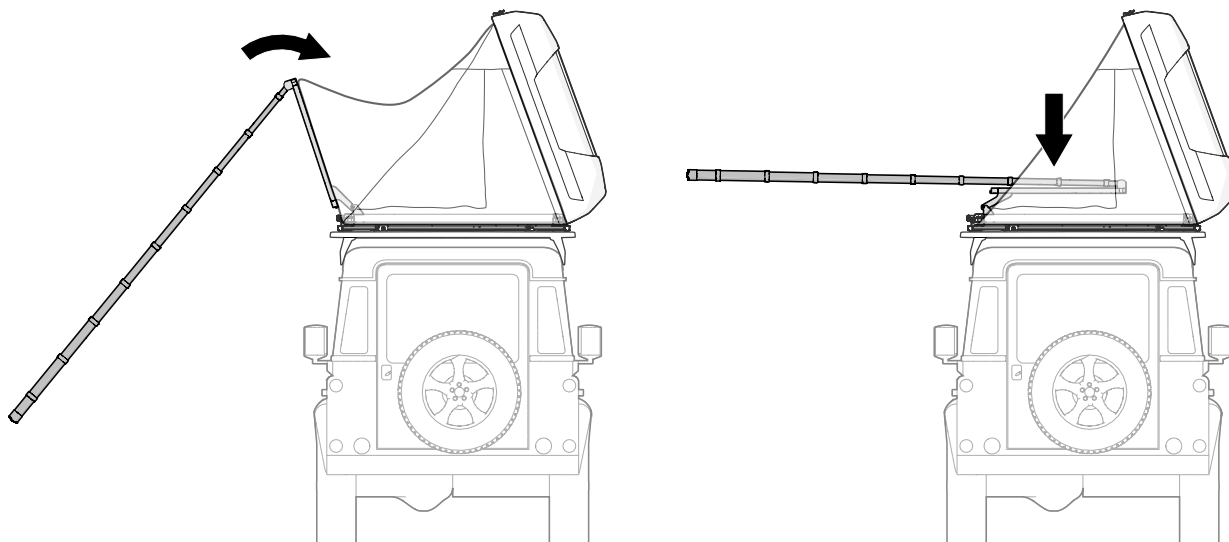
UNHOOK



**V** x6

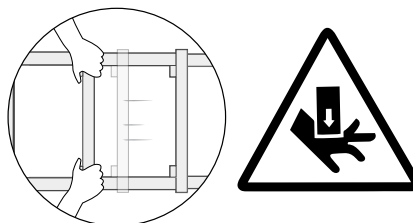
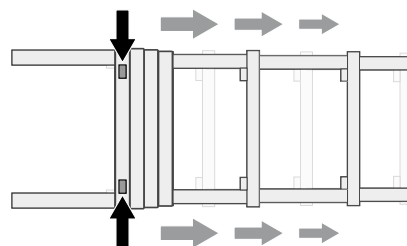
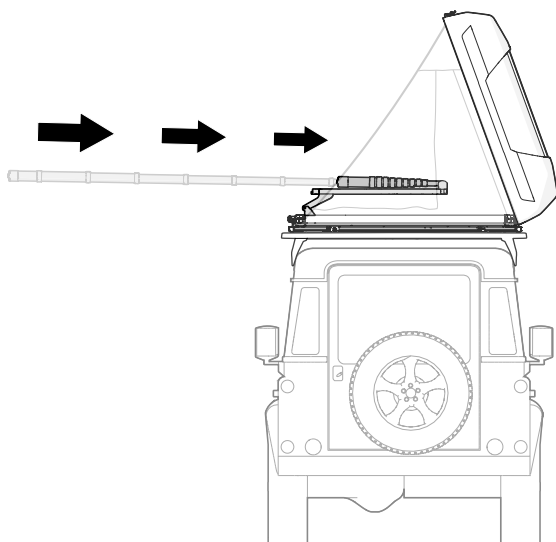


39



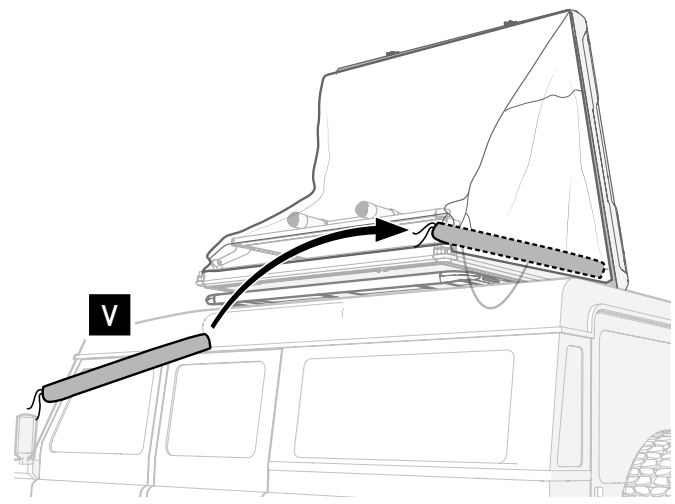
40

Retract Ladder completely



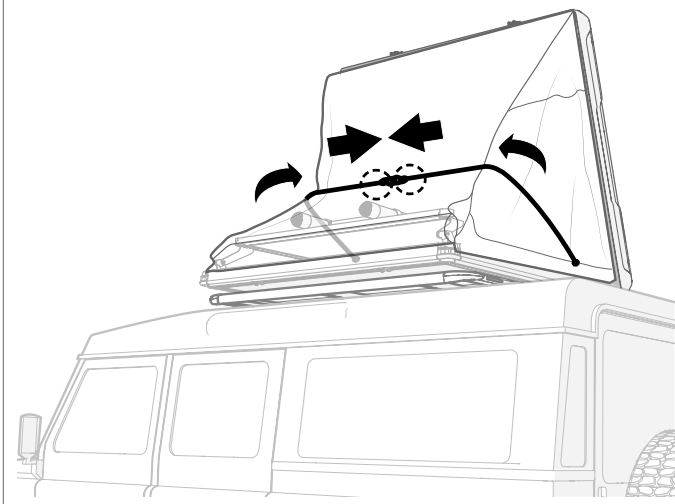
Take caution not to pinch your fingers when retracting the ladder.

41



42

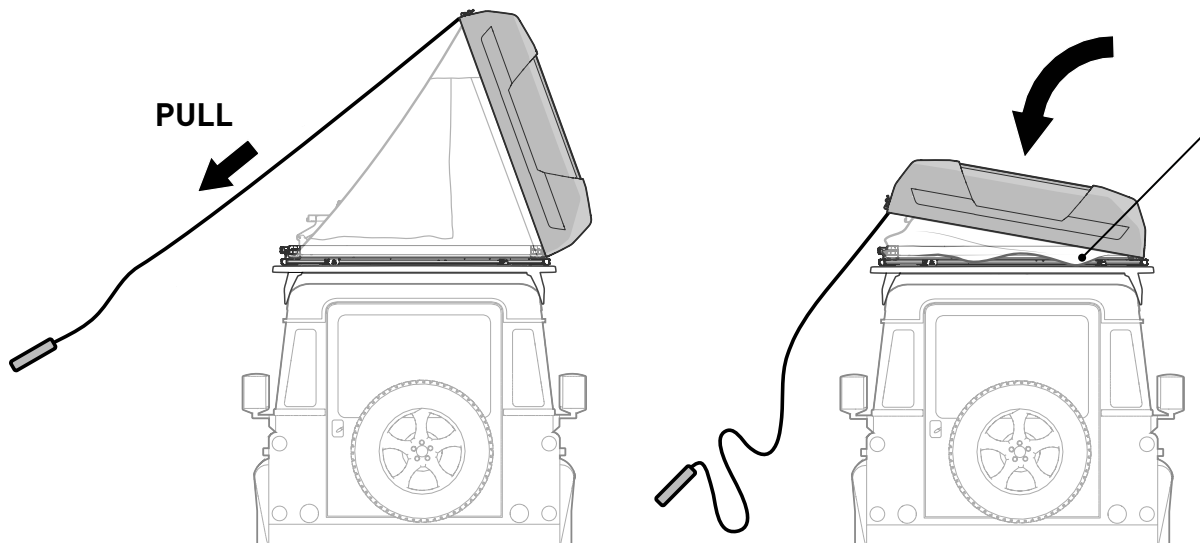
Reattach bungee cords



43

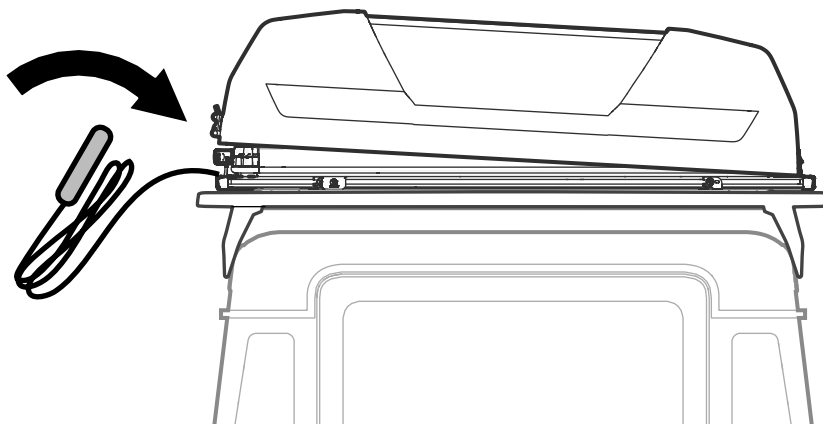


While closing, make sure tent fabric has collapsed into the shell on all sides. **Tuck the fabric into the shell if needed.**

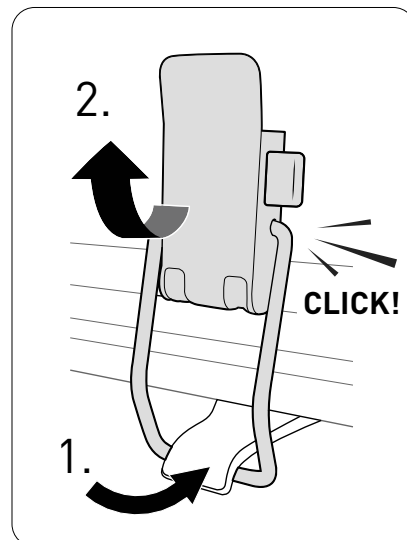
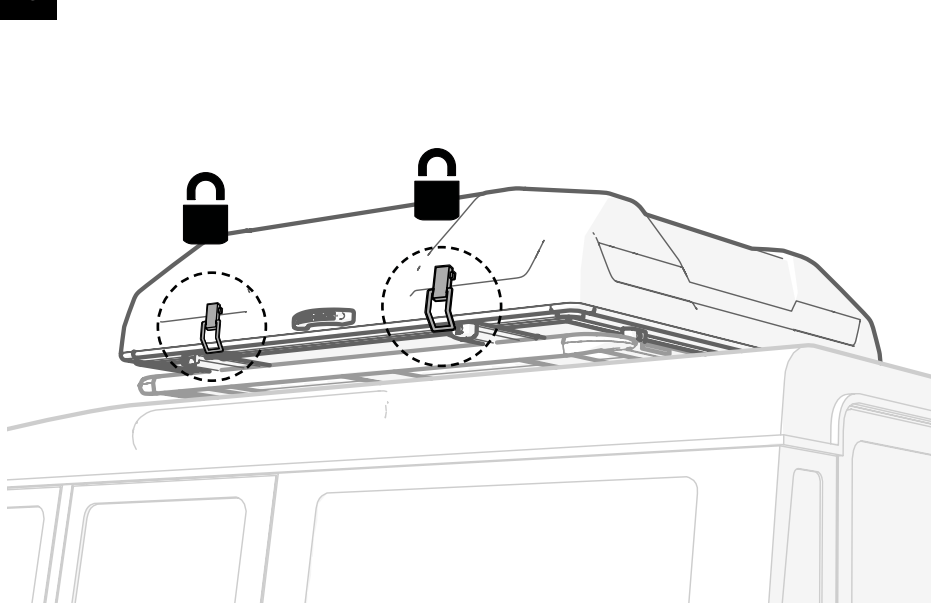


44

Tuck in strap before fully closing shell.

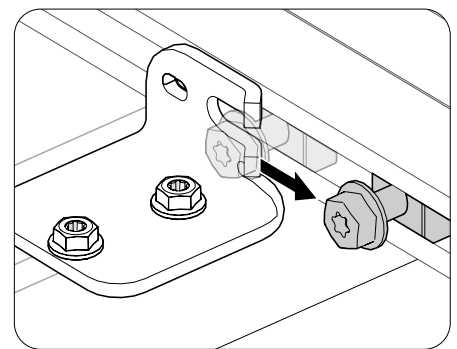
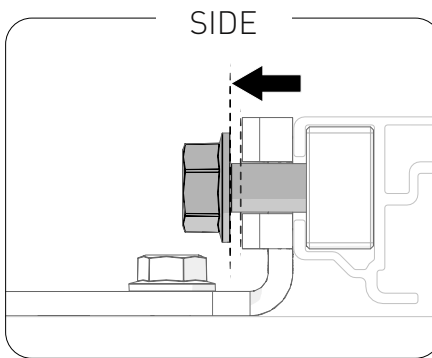
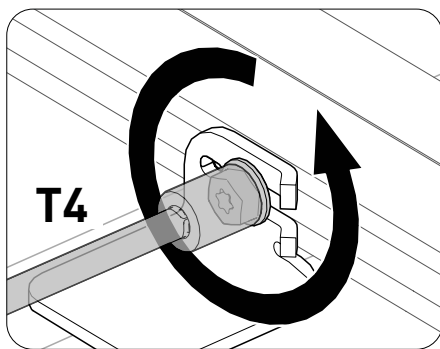
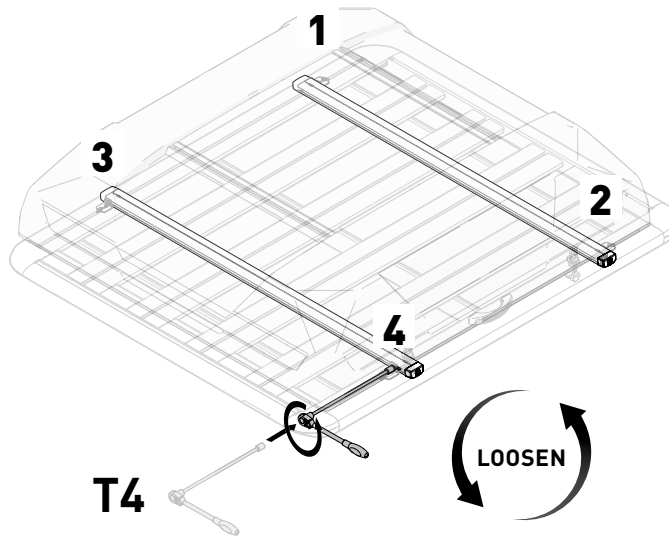


45

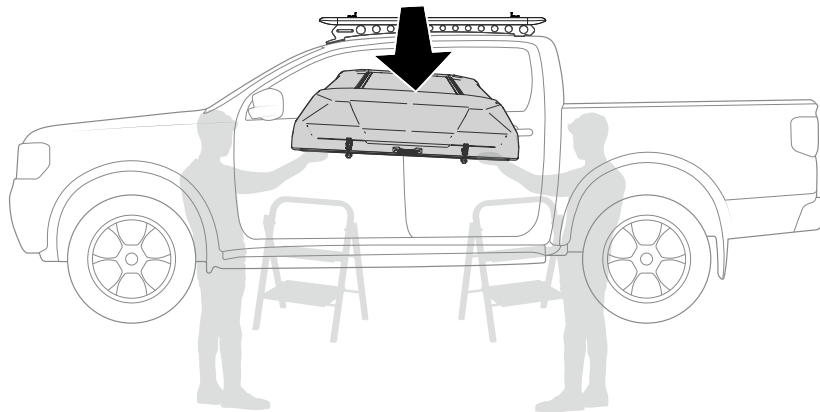


RELATCH

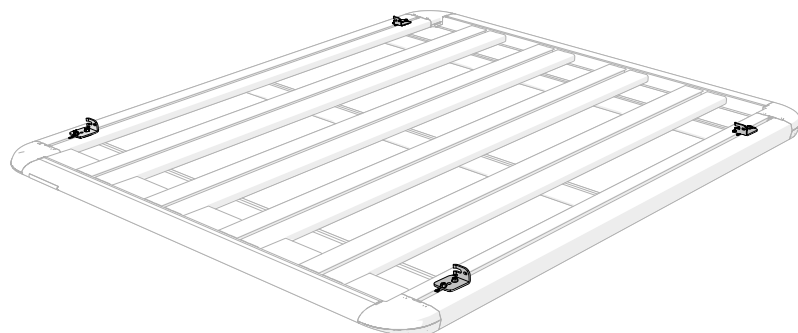
46

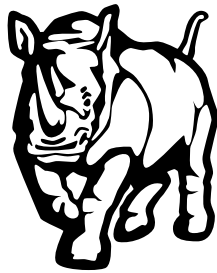


47



**NOTE:**  
Mount brackets  
can remain on the  
roof rack system!





**RHINO-RACK®**

MAKE SPACE FOR ADVENTURE

**RHINORACK.COM**

**Rhino-Rack AUSTRALIA**

22A Hanson Pl,  
Eastern Creek, NSW, 2766

**Rhino-Rack USA**

19822 E 22nd Ave,  
Aurora, CO, 80011