

### RD138

Land Rover, 24 SPL, Banjo, P38A

### PARTS LIST

| ITEM # | QTY | DESCRIPTION                       | PART #       | NOTES |
|--------|-----|-----------------------------------|--------------|-------|
| 01     | 1   | FLANGE CAP KIT                    | 027317SP     |       |
| 02     | 1   | BONDED SEAL                       | 160702SP     |       |
| 03     | 1   | CLUTCH GEAR & WAVESPRING KIT      | 050906SP     |       |
| 04     | 2   | SHORT CROSS SHAFT                 | 060403SP     |       |
| 05     | 1   | LONG CROSS SHAFT                  | 060204SP     |       |
| 06     | 1   | SIDE GEAR                         | SEE NOTE     | 2     |
| 07     | 2   | SIDE GEAR THRUST WASHER           | SEE NOTE     | 3     |
| 08     | 1   | COUNTERSUNK SCREW (PK OF 2)       | 200213SP     |       |
| 09     | 1   | RETAINING PIN SET (PK OF 4)       | 120601SP     |       |
| 10     | 2   | TAPERED ROLLER BARING             | NOT SUPPLIED |       |
| 11     | 1   | SEAL HOUSING RETAINING CLIP       | 150602SP     |       |
| 12     | 1   | SEAL HOUSING KIT                  | 082002SP     |       |
| 13     | 1   | SEAL HOUSING O-RINGS (PK OF 2)    | 160235-2     | 1     |
| 14     | 1   | ADJUSTER NUT                      | 100201SP     |       |
| 15     | 1   | WAVESPRING                        | 150706SP     |       |
| 16     | 1   | SPLINED SIDE GEAR                 | SEE NOTE     | 2     |
| 17     | 4   | PINION GEAR                       | SEE NOTE     | 2     |
| 18     | 4   | PINION THRUST WASHER              | SEE NOTE     | 3     |
| 19     | 1   | SPIDER BLOCK                      | 070201SP     |       |
| 20     | 1   | DIFFERENTIAL CASE                 | 013017SP     |       |
| *      | 1   | BULKHEAD FITTING KIT (BANJO TYPE) | 170114       | 4     |
| *      | 1   | AIR LINE (6mm DIA X 6m LONG)      | 170314       | 4     |
| *      | 1   | SOLENOID VALVE (12V)              | 180103       |       |
| *      | 1   | SWITCH FR OR RR LOCKER            | 180225       |       |
| *      | 1   | CABLE TIE (PK OF 25)              | 180305       |       |
| *      | 1   | OPERATING & SERVICE MANUAL        | 210200       |       |
| *      | 1   | INSTALLATION GUIDE                | 2102138      |       |

\* *Not illustrated in exploded view*

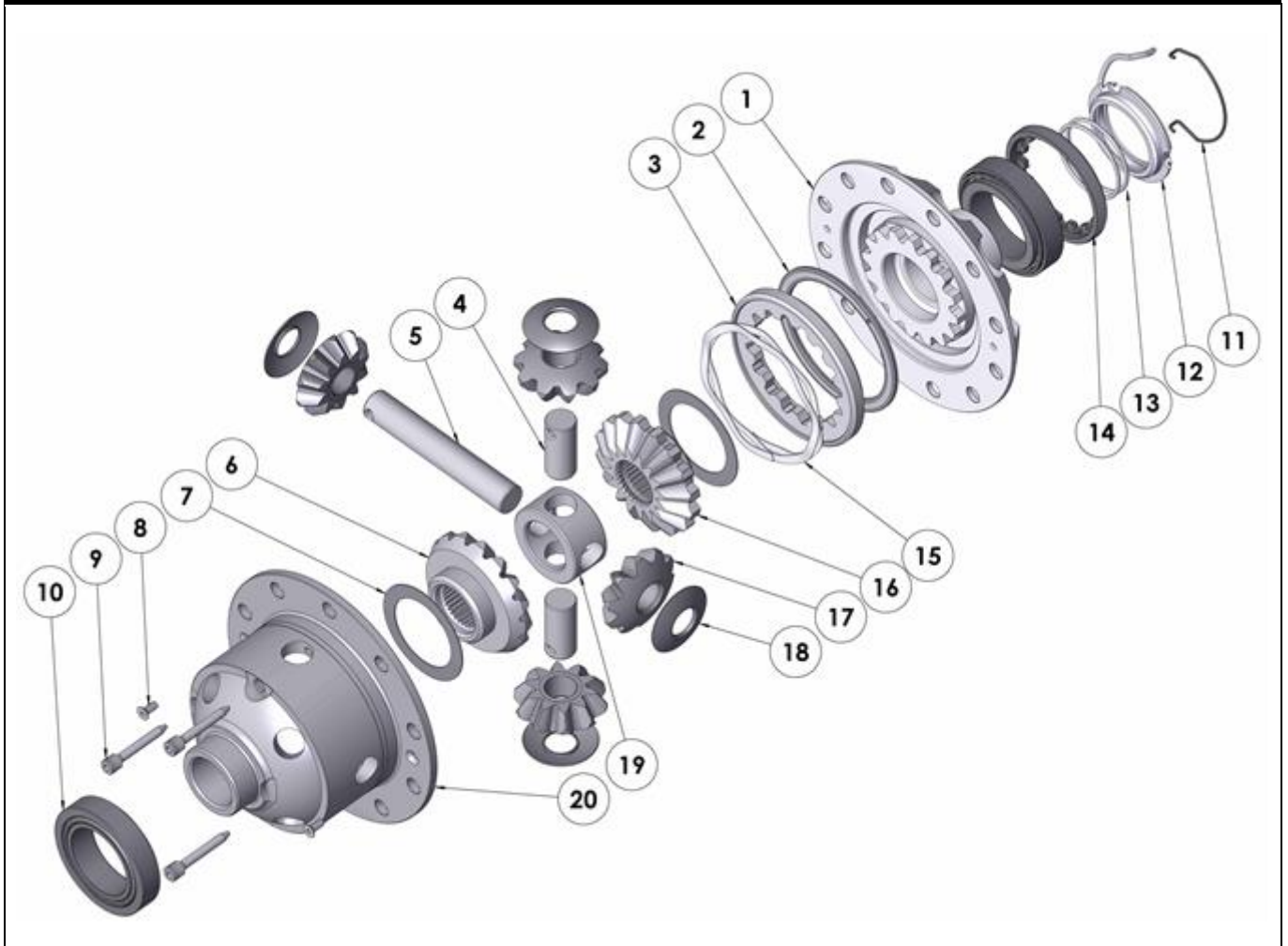
### NOTES

- 1 For replacement O-rings use only BS133 Viton 75.
- 2 Available only as complete 6 gear set # 728H141
- 3 Available only as complete thrust washer kit #730H01
- 4 All diffs produced before serial #17070001 came with 5mm air connection system. For information contact ARB.
- This model replaces the P38A differential carrier with a flange diameter of 205mm [8.07"].
- For the Rover type with a flange diameter of 174mm [6.95"] refer to RD128 ([Section 2.128](#)).
- 5mm [3/16"] ring gear spacer plate (ARB part# 'RD03A') is available for use with early Land Rover 4.7:1 ratio gear but longer bolts must be used (Land Rover part# 576521).
- Refer to seal housing set-up tech note ([Sec. 5.2](#)).

**RD138**

Land Rover, 24 SPL, Banjo, P38A

### EXPLODED DIAGRAM



### SPECIFICATIONS

|                    |                            |
|--------------------|----------------------------|
| Axle Spline        | 24 tooth, Ø31.5mm [1.24"]  |
| Ratio Supported    | 3.54:1                     |
| Ring Gear ID       | 125.4mm [4.94"]            |
| Ring Gear Bolts    | 10 bolts on Ø142mm [5.59"] |
| Ring Gear Torque   | 58Nm [43 ft-lb]            |
| Backlash           | 0.10-0.17mm [0.004-0.007"] |
| Bearing Cap Torque | 90Nm [66 ft-lb]            |