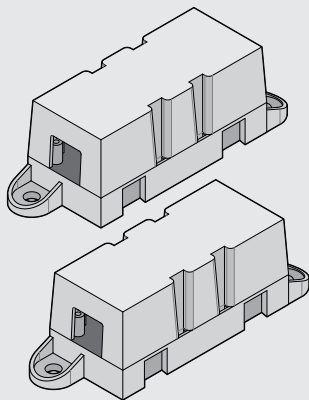
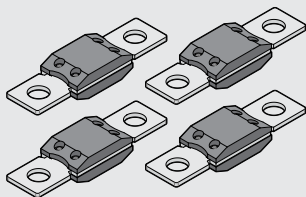


THE POWER OF

**REDARC**<sup>®</sup>

# 100A MEGA Fuse Kit

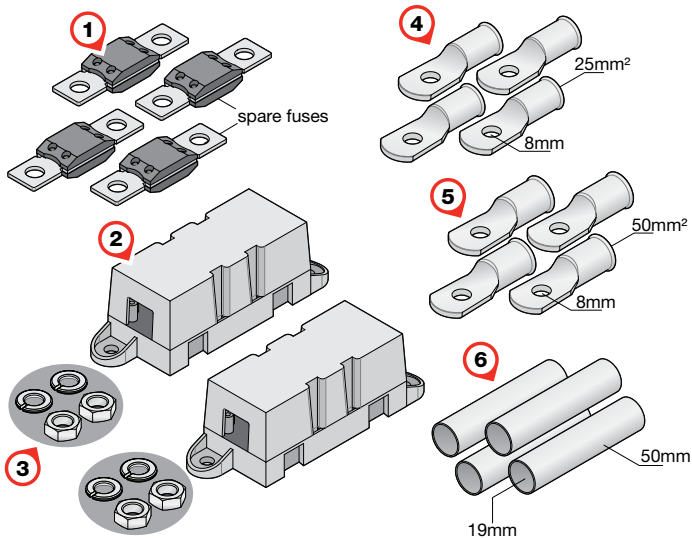
## FK100



This manual contains assembly and wiring instructions for components in this kit only. For complete installation instructions for individual devices shown in the wiring diagrams, refer to the Instruction Manual supplied with each device.

# 100A MEGA FUSE KIT

The FK100 is designed to provide a simple, neat fuse installation for dual battery systems. The FK100 is perfect for the Smart Start® SBI (SBI12 and SBI24) auxiliary and start battery connection with a push button override installed; and the BMS12075 auxiliary battery connection.



## KIT CONTENTS

No.	Part	Quantity
1	100A MEGA Fuse	4
2	Fuse Holder	2
3	Nut and Spring Washer to suit Fuse Holder	4
4	Lug (25 mm <sup>2</sup> cable input hole, 8 mm stud hole)	4
5	Lug (50 mm <sup>2</sup> cable input hole, 8 mm stud hole)	4
6	Heatshrink	4

The Lugs provided are intended for either a 25 mm<sup>2</sup> or 50 mm<sup>2</sup> cable. If using a smaller cable gauge, insert with conductor fold back; if using larger cable gauge, source a larger lug.

## LIMITED WARRANTY

For full warranty terms and conditions, visit the  
Warranty page of the REDARC website:

[www.redarcelectronics.com/warranty](http://www.redarcelectronics.com/warranty)

### Australia, New Zealand, UK & Europe

REDARC Electronics Pty Ltd  
23 Brodie Road (North),  
Lonsdale SA 5160  
Australia

**Australia** +61 8 8322 4848

**New Zealand** +64 9 222 1024

**UK & Europe** +44 (0)20 3930 8109

### North America

REDARC Corporation  
c/o Shallco, Inc.  
308 Component Dr.  
Smithfield, NC 27577  
USA

**USA** +1 (704) 247 5150

**Canada** +1 (604) 260 5512

**Mexico** +52 (558) 526 2898

## IMPORTER CONTACT INFORMATION

**UK:** Ozparts UK Ltd, 1 Prospect Place, Pride Park, DE24 8HG, Derby, UK

**Europe:** Ozparts Sp. z o. o. Sp. kom., Slowackiego 32/5, 87–100 Torun, Poland

For written request please email [power@redarcelectronics.eu](mailto:power@redarcelectronics.eu)

Design and specifications are subject to change without notice.

Copyright © 2024 REDARC Electronics Pty Ltd. All rights reserved. REDARC®,

THE POWER OF REDARC® and Smart Start® are trademarks of REDARC Electronics Pty Ltd.

## LUG AND HEATSHRINK ASSEMBLY

Strip the end of the cable back enough to ensure the insulation does not enter the barrel of the Lug when fully inserted.



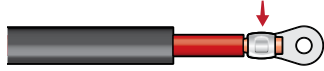
Slide the Heatshrink over the cable.



Insert the stripped wires into the barrel of the Lug.



Crimp the Lug using the correct crimping tool.



Slide the Heatshrink to partially cover the Lug, leaving the Lug tongue exposed.



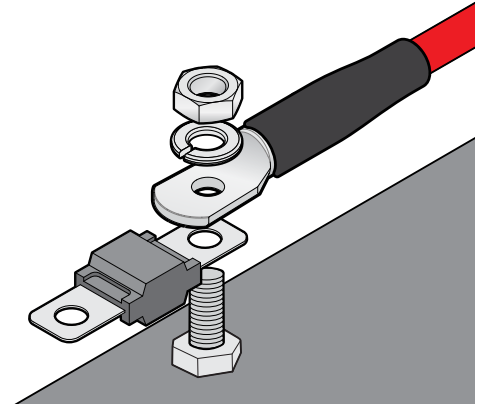
Shrink the Heatshrink.



## FUSE KIT ASSEMBLY

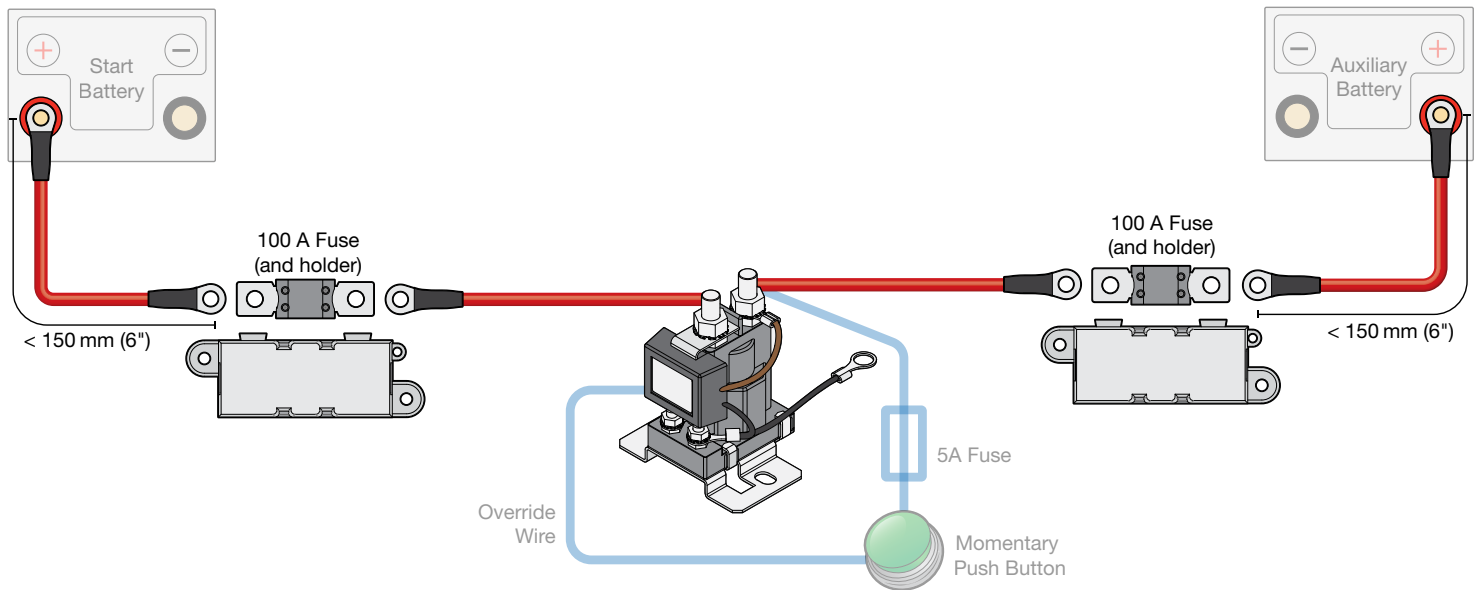
Order of installing Bolt in the Fuse Holder:

1. MEGA Fuse
2. Lug with Heatshrink and cable
3. Spring Washer
4. Nut



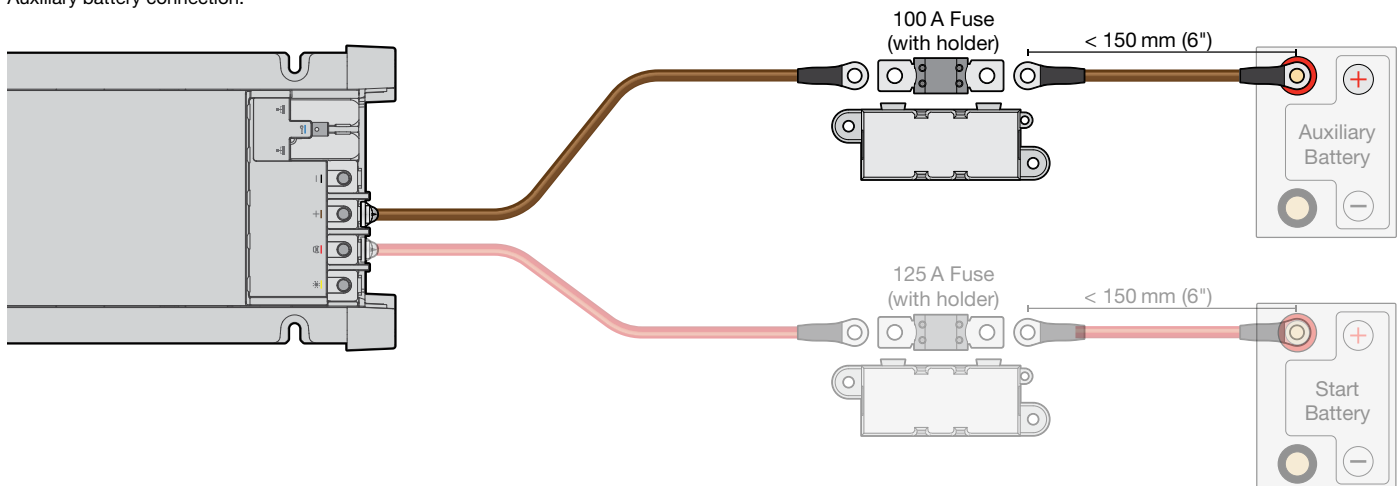
## SMART START® SBI (SBI12 & SBI24) INSTALLATION

Auxiliary and start battery connection with push button override.



## BMS12075 INSTALLATION

Auxiliary battery connection.





**Tech Support**  
1300 REDARC

**Head Office**  
+61 8 8322 4848

**New Zealand**  
+64 9 222 1024

**UK & Europe**  
+44 (0)20 3930 8109

**USA**  
+1 (704) 247 5150

**Canada**  
+1 (604) 260 5512

**Mexico**  
+52 (558) 526-2898

**[redarcelectronics.com](http://redarcelectronics.com)**