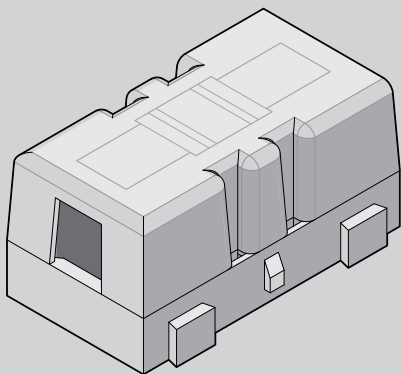
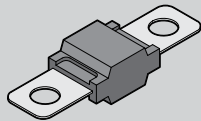
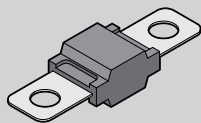


THE POWER OF

REDARC[®]

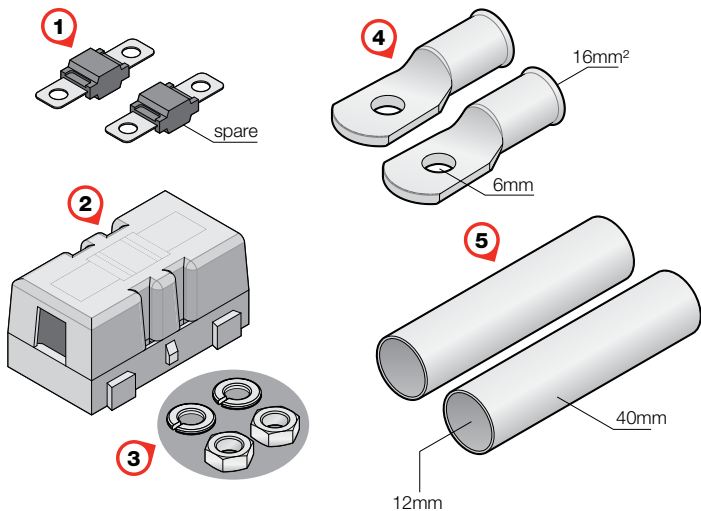
50A MIDI Fuse Kit

FK50



50A MIDI FUSE KIT

The FK50 is designed to provide for a simple, neat fuse installation for dual battery systems. The FK50 is perfect for the TVMS Rogue (TVMS1240) powering wiring loom installation and the Manager30 (BMS1230S3) DC input installation.



KIT CONTENTS

No.	Part	Quantity
1	50A MIDI Fuse	2
2	Fuse Holder	1
3	Nut and Spring Washer to suit Fuse Holder	2
4	Lug	2
5	Heatshrink	2

*The Lugs provided are intended for a 16 mm² cable. If using a smaller cable gauge, insert with conductor foldback; if using larger cable gauge, source a larger lug.

LIMITED WARRANTY

For full warranty terms and conditions, visit the Warranty page of the REDARC website. Refer to the web address and contact details applicable to your region.

Australia, New Zealand & Europe

www.redarc.com.au/warranty

REDARC Electronics Pty Ltd
23 Brodie Road (North),
Lonsdale SA 5160
Australia

Australia	+61 8 8322 4848
New Zealand	+64 9 222 1024
UK & Europe	+44 (0)20 3930 8109

North America

www.redarcelectronics.com/warranty

REDARC Corporation
c/o Shallco, Inc.
308 Component Dr.
Smithfield, NC 27577
USA

USA	+1 (704) 247 5150
Canada	+1 (604) 260 5512
Mexico	+52 (558) 526 2898

Design and specifications are subject to change without notice.

Copyright © 2022 REDARC Electronics Pty Ltd. All rights reserved.

REDARC® and THE POWER OF REDARC® are trademarks of REDARC Electronics Pty Ltd.

LUG AND HEATSHRINK ASSEMBLY

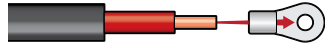
Strip the end of the cable back enough to ensure the insulation does not enter the barrel of the Lug when fully inserted.



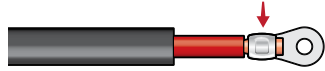
Slide the Heatshrink over the cable.



Insert the stripped wires into the barrel of the Lug.



Crimp the Lug using the correct crimping tool.



Slide the Heatshrink to partially cover the Lug, leaving the Lug tongue exposed.



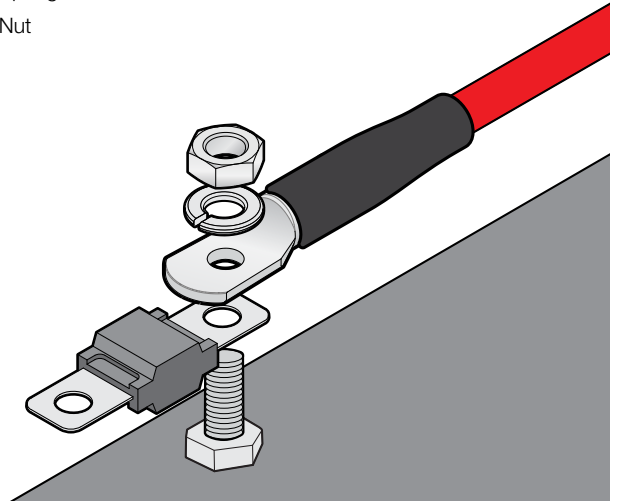
Shrink the heat shrink.



FUSE KIT ASSEMBLY

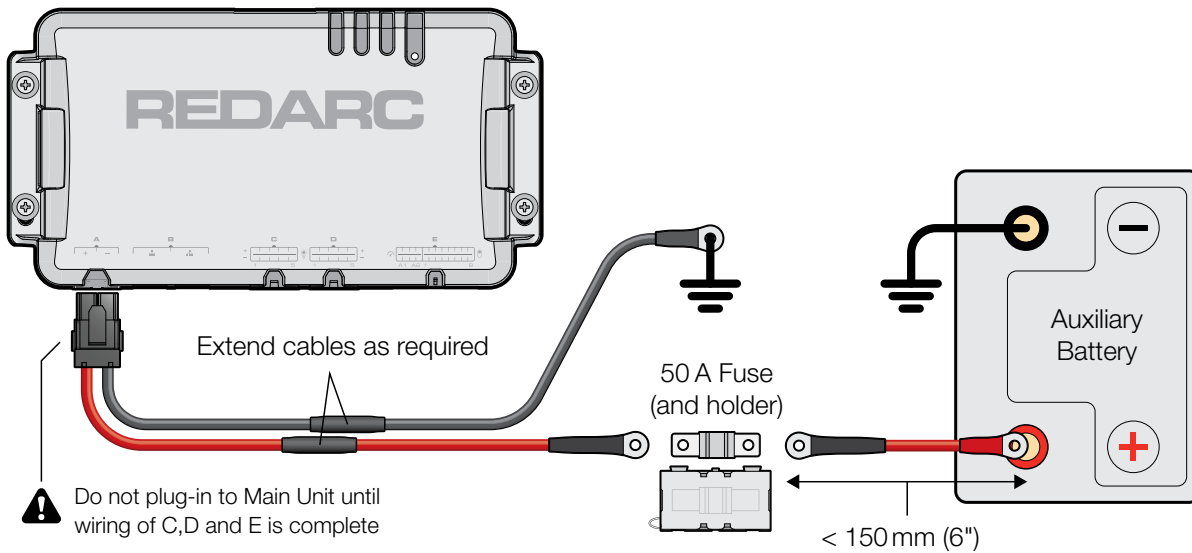
Order of installing Bolt in the Fuse Holder:

1. MIDI Fuse
2. Lug with Heatshrink and cable
3. Spring Washer
4. Nut



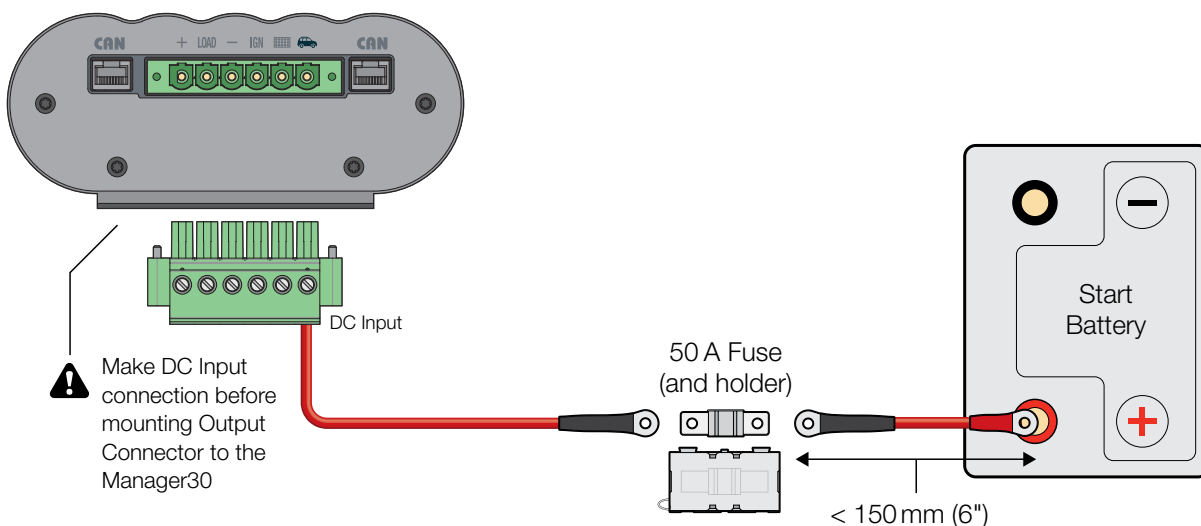
TVMS ROGUE INSTALLATION

Power Wiring Loom Wiring



MANAGER30 INSTALLATION

DC Input Wiring Connection





CONTACT

Tech Support

1300 REDARC

Head Office

+61 8 8322 4848

New Zealand

+64 9 222 1024

UK & Europe

+44 (0)20 3930 8109

USA

+1 (704) 247 5150

Canada

+1 (604) 260 5512

Mexico

+52 (558) 526-2898

redarcelectronics.com