

SS76HFZ SAFARI V-SPEC SNORKEL

Toyota 76 Series Land Cruiser
4.2L 6 Cylinder Diesel (1HZ Engine)



22/7/2010

Parts List

ITEM	PART NO	DESCRIPTION	QTY
1	330-133-700	BODY - SNORKEL (SS76HFZ)	1
2	000-135-800	3 1/2" AIR RAM ASSEMBLY	1
3	330-032-700	BRACKET - UPPER MOUNTING	1
4	000-002-100	BOLT - HEX - 6mm x 1.0 x 14mm (SEMS)	2
5	000-951-300	SCREW - S/T - 4.2mm x 16mm	3
6	000-960	INSERT - PLASTIC	3
7	000-110	STUD - S/S - 8mm x 1.25 x 25mm	5
8	000-311-300	WASHER - BODY - 8mm x 30mm	5
9	000-205-300	NUT - NYLOC - 8mm x 1.25mm	5
10	330-024-700	HOSE - AIR ENTRY	1
11	000-908	CLAMP - HOSE - 70/90mm	1
12	000-909	CLAMP - HOSE - 80/100mm	1
13	000-953-030	RUBBER EDGING	1
14	000-914/B	CLAMP - HOSE - No. 56 (BLACK)	1
15	330-017-700	TEMPLATE	1

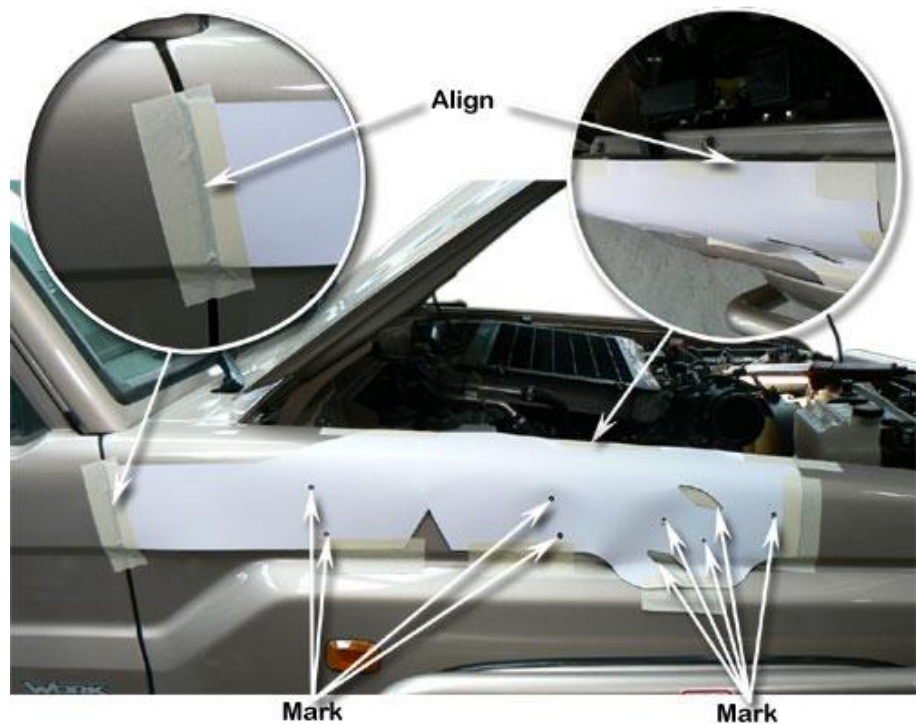
Installation Guide

- | | | |
|----------|---|--|
| 1 | Fitment to: | Special Tools: |
| | <ul style="list-style-type: none">• Right Hand Side Fitting Time: <ul style="list-style-type: none">• 120 min | <ul style="list-style-type: none">• 86mm Hole saw• Step Drill• Body Saw (reciprocating)• Touch-up Paint• Loctite 243 (Thread Lock) |

Prior to commencing the installation, it is the installers' responsibility to verify that all components and particularly the template (Item 15) are correct.

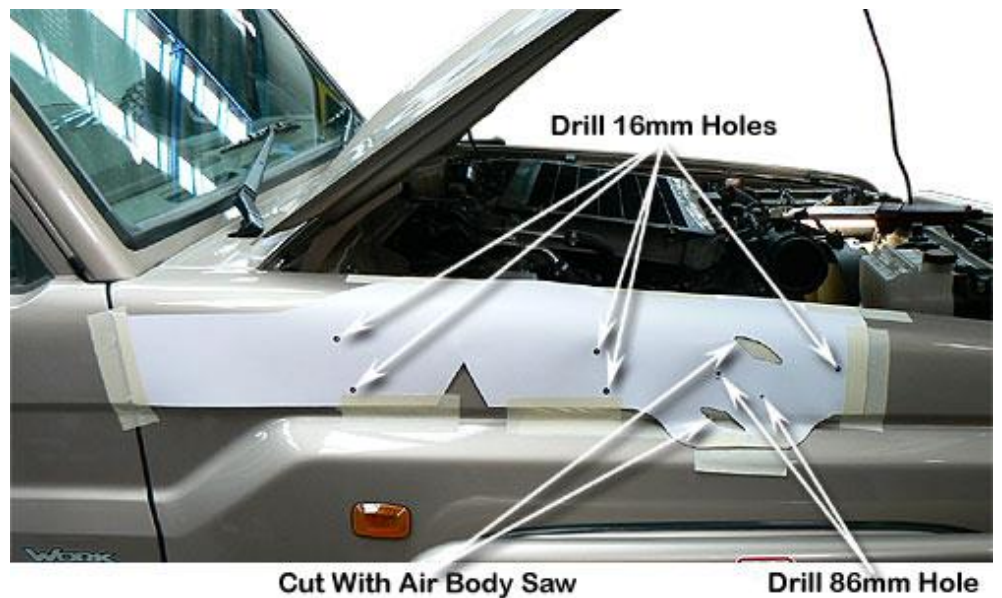
- 2** Remove the following in accordance with the factory service manual:
- Air cleaner assembly
 - Air entry ducting

- 3**
- Tape the template (Item 15) to the rear and upper edges of the RHS guard panel. With the template correctly positioned, mark all of the hole positions and the two cut out sections with a felt tip pen. Remove the template.



4

Drill a pilot hole for each marked hole position.
Drill the 2 main hole positions with a 86mm hole saw. Using the body saw, cut away the two marked sections of the guard panel.
Drill the 5 mounting hole positions to 16mm with a step drill. Deburr and paint holes to prevent rust.



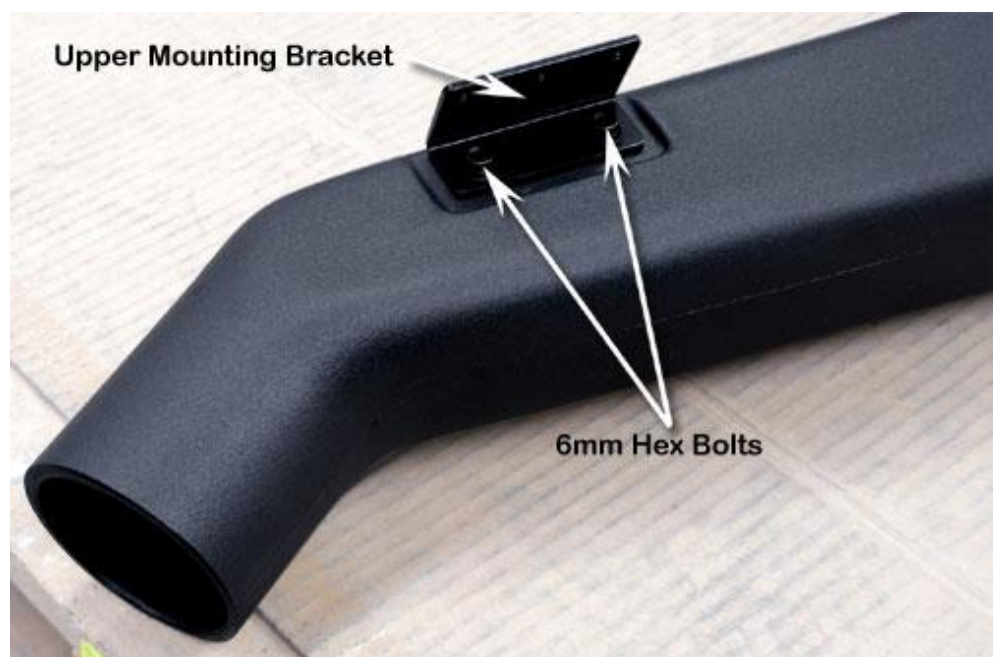
5

Apply loctite 243 to each of the stainless steel mounting studs (Item 7) and install the studs finger tight into the snorkel body (item 1) mounting inserts.



6

Fasten the upper mounting bracket (Item 3) to the snorkel body (Item 1) with 6mm hex bolts (Item 4).



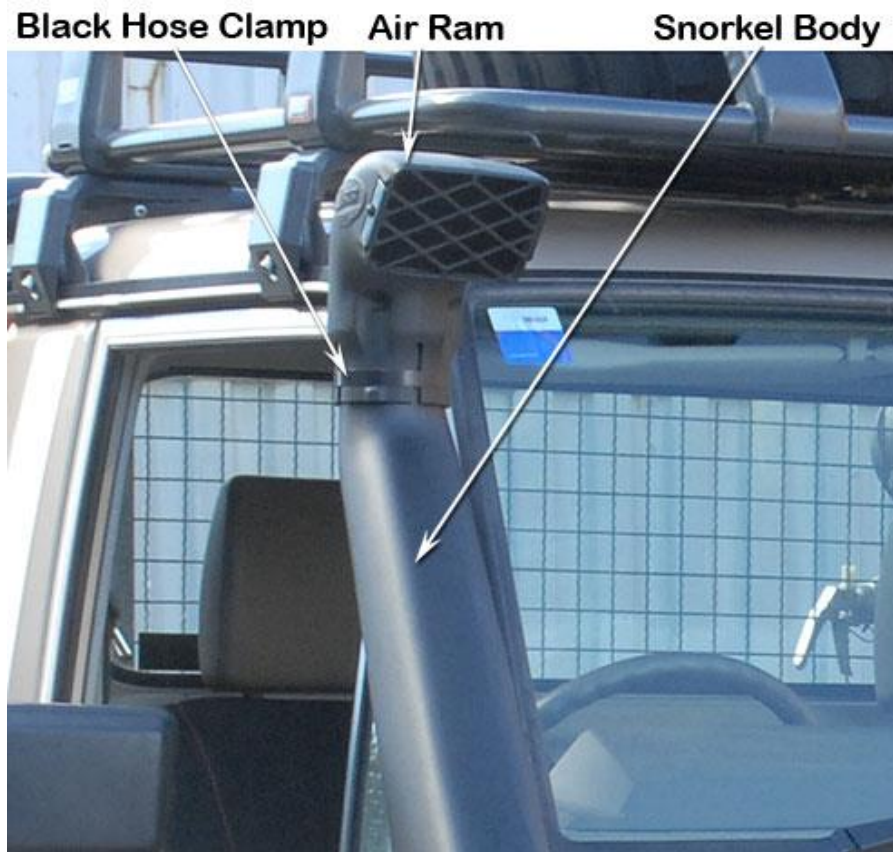
Place a strip of masking tape onto the A-Pillar. Carefully place the snorkel body (Item 1) onto the guard panel. With the snorkel body correctly positioned, mark the upper mounting bracket hole position. (The upper mounting bracket should have approximately 1.0mm gap to the windscreen rubber moulding). Remove the snorkel body from the vehicle and the upper mounting bracket from the snorkel body.



- 8** Drill a pilot hole for each of the marked hole positions. Drill to 8mm, deburr and paint holes.
- 9** Install the 3 x plastic inserts (Item 6).
Fasten the upper mounting bracket to the A-Pillar using 3 x self tapping screws (Item 5).
- 10** Install the snorkel body to the guard panel. Align the snorkel body to the upper mounting bracket and guard panel. When correctly aligned, fasten the snorkel body to the guard with body washers (Item 8) and nyloc nuts (Item 9). Fasten the snorkel body to the upper mounting bracket with 2 x 6mm hex bolts (Item 4).
- 12** Install the rubber edging (Item 13) to the inner guard hole, then install the air entry hose (Item 10) through the inner guard hole, position the 80/100mm hose clamp onto the air entry hose and install the air entry hose onto the snorkel body outlet snout.
- 13** Position the 70/90mm hose clamp onto the air entry hose, install the air cleaner housing into position and fasten using genuine hardware.
- 14** With the air entry hose correctly positioned, tighten the hose clamps at either end of the air entry hose.
- 15** Reinstall the air filter element, air cleaner housing top and any other components that may have been removed.

16

Loosely install the black hose clamp (Item 14) to the base of the air ram assembly (Item 2). Install the air ram assembly onto the snorkel body. Align the air ram assembly and tighten the black hose clamp (Item 14).



17 **N.B: It is the installer's responsibility to ensure that all connections are watertight.**