

FITTING INSTRUCTIONS

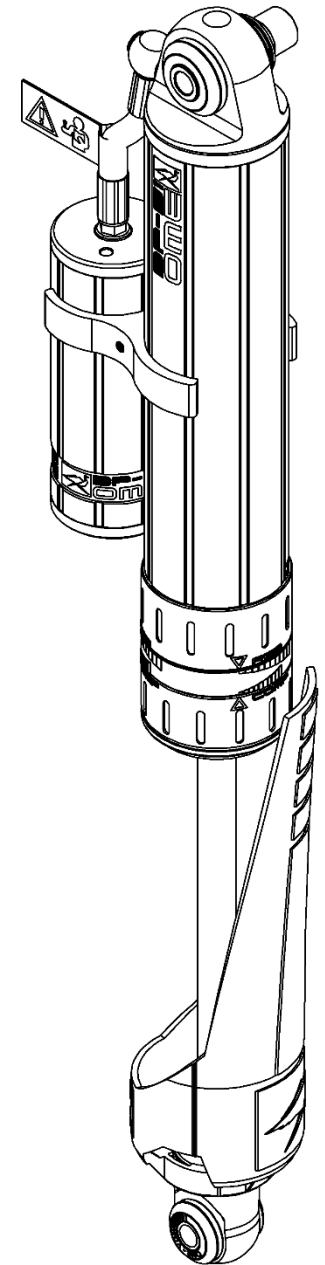
BP5160034L & BP5160034R

TO SUIT JEEP WRANGLER JL 3"+ REAR

WARNING

- ◆ This product must be installed exactly as per these instructions using only the hardware supplied.
- ◆ In the event of damage to any suspension component, contact your nearest authorised ARB stockist. Repairs or modifications to the suspension system components must not be attempted.
- ◆ Do not use this product for any vehicle make or model, other than those specified by ARB.
- ◆ Do not remove labels from suspension components.
- ◆ This product or its fixing must not be modified in any way.
- ◆ The installation of this product may require the use of specialized tools and/or techniques
- ◆ It is recommended that this product is only installed by trained personnel
- ◆ These instructions are correct as at the publication date. ARB Corporation Ltd. cannot be held responsible for the impact of any changes subsequently made by the vehicle manufacturer
- ◆ During installation, it is the duty of the installer to check correct operation/clearances of all components
- ◆ Work safely at all times

Note: These fitting instructions should be read in conjunction with the vehicle workshop manual.



WARNING

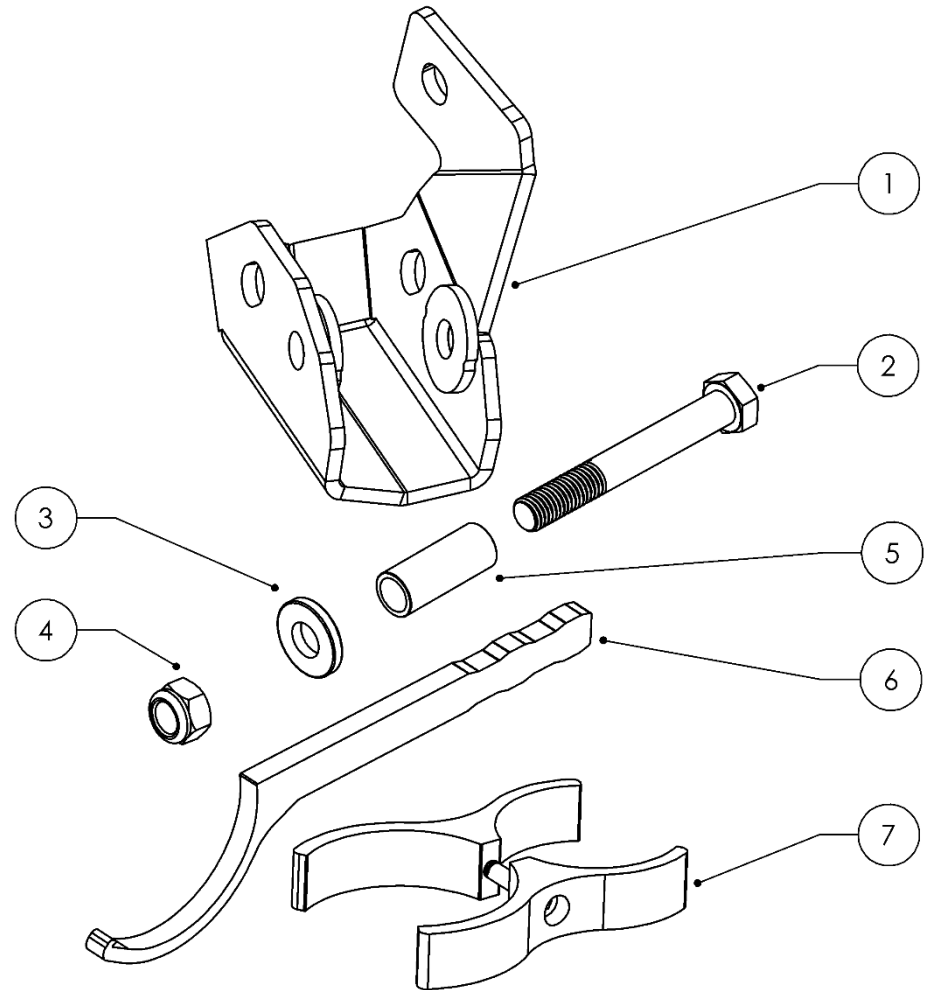
BP5160034L & BP5160034R are designed to be used with OME 2.5" / 3.5" Lift Kit which addresses the following requirements with components described.

FEATURES	COMPONENT	OME PART NUMBERS		COMMENTS
		FRONT	REAR	
Lift	Springs	3133 / 3134 / 3135	3136 / 3137 /3138 / 3139	2.5"/3.5" lift coils are designed to stay located with longer dampers.
Damping	Shocks Absorbers	BP5160033	BP5160034L / BP5160034R	Dampers with optimised lengths for maximum down travel.
Bump Stops	Bump Stop Spacers Front and Rear	FK92		Bump stops spacers optimised for extended and compressed lengths to allow for maximum compression and rebound control. Also allows larger fitment of tyres 35-37" with OE Flare/Fender. Minimum REAR bump spacer height 45mm (1.75").
Castor Correction	Adjustable Lower Control Arm	LCAJLFR		Heavy Duty Adjustable control arm to restore wheel alignment.
Roll Control / Articulation	Extended Sway Bar Links	FK93		New longer sway bar links to correct sway bar alignment and ensure droop travel is limited by the dampers.

If not using the complete OME Lift Kit please ensure all the above features are considered.

FITTING KIT CONTENTS – VM80010039

Item	Description	Qty	Spare Part No.
1	REAR DAMPER LOWER MOUNT RIGHT (SHOWN)	1	VF60050044RSP
	REAR DAMPER LOWER MOUNT LEFT	1	VF60050044LSP
2	M12 X 90MM BOLT	2	6151250SP
3	M12 WASHER FLAT	4	4581011SP
4	M12 NYLOC NUT	2	6151574SP
5	MOUNT SLEEVE	2	VF50121640SP
6	ADJUSTER TOOL	1	VC10010071SP
7	RESI CLAMP ASSEMBLY	2	VM20010001SP



DAMPER PREPARATION CLAMPING THE RESI

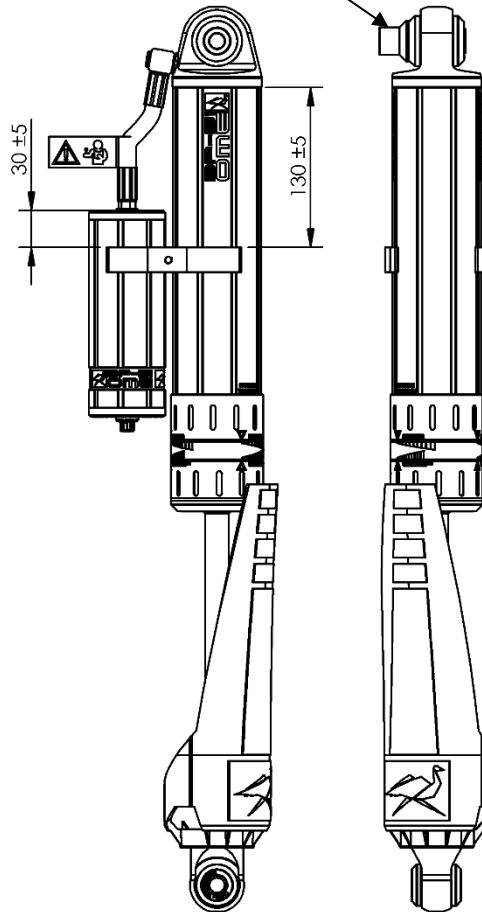
Before fitment, the Reservoir needs to be clamped to the damper body. Use supplied reservoir clamp assemblies. Refer to diagrams for reservoir clamp position and orientation.

It is recommended to check the top mount sleeve is assembled in correct orientation for left and right damper. Refer to diagrams for correct mount sleeve assembly.

It is also easiest to secure the shaft guard to the eyelet prior to fitment to the vehicle. Refer to next page for details.

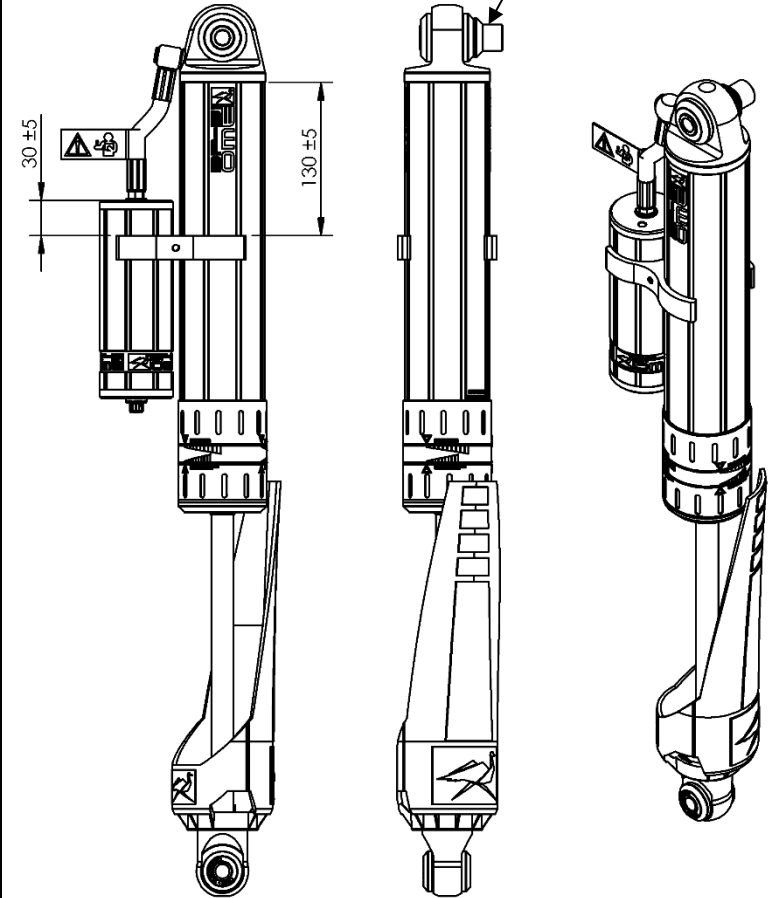
Mount sleeve pressed into bush on this side for BP5160034L

LEFT



RIGHT

Mount sleeve pressed into bush on this side for BP5160034R



DAMPER PREPARATION CONTINUED... SECURING SHAFT GUARDS

The way the shaft guard and retainers are secured is different for left and right hand dampers.

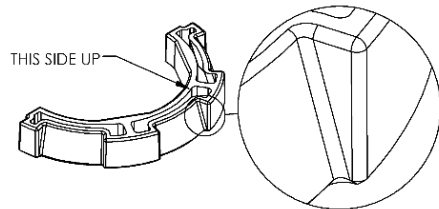
There are two different retainers to secure the shaft guard.

Grey retainers are for the RHS.

Green retainers are for the LHS.

Please follow steps 1-3.

1. Fit the two retainers to the eyelet as shown. Note the orientation.

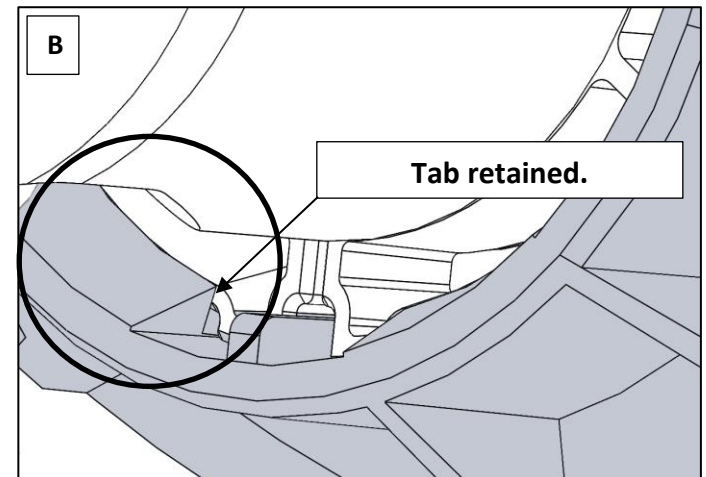
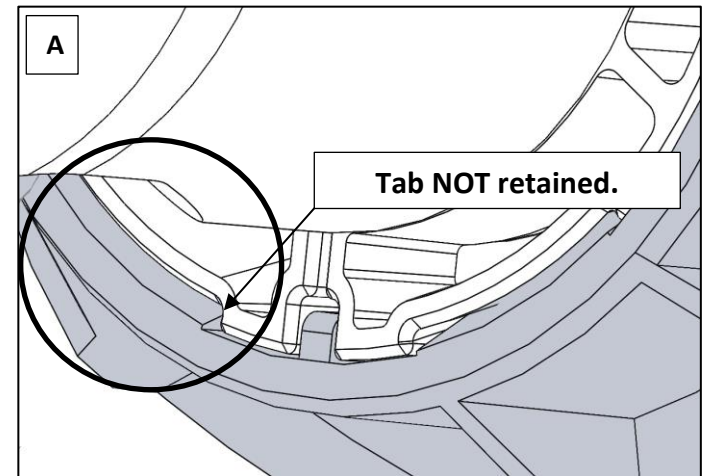
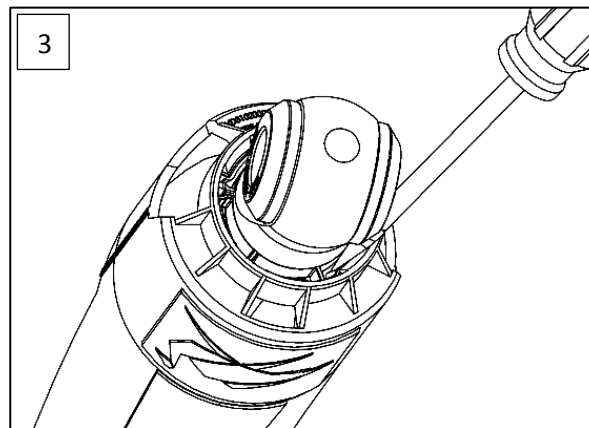
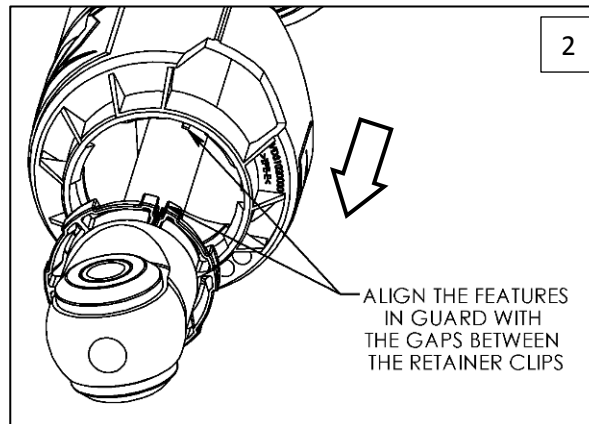
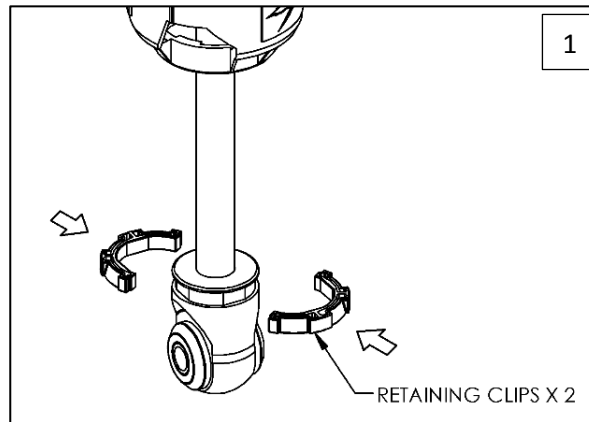


2. There are features on the shaft guard that locate in the gaps between the two retainers.

Align the guard with these gaps and firmly pull the shaft guard down over the retainers to secure in place.

3. Check retainers are completely secured by guard. Use a flat blade screwdriver to poke retainers under tabs on guard if required. Refer to pictures (A) and (B) for correct fitment.

IMPORTANT: Ensure ALL tabs are fully retained.



IMPORTANT: Ensure ALL tabs are fully retained.

VEHICLE PREPARATION

Remove existing dampers from the vehicle.
Remove the bolt that secures the lower sway bar link to the OE mount.

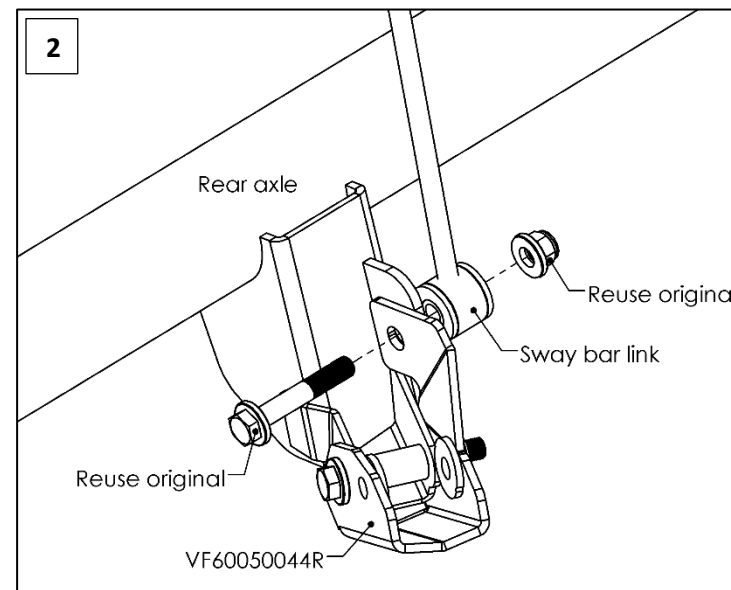
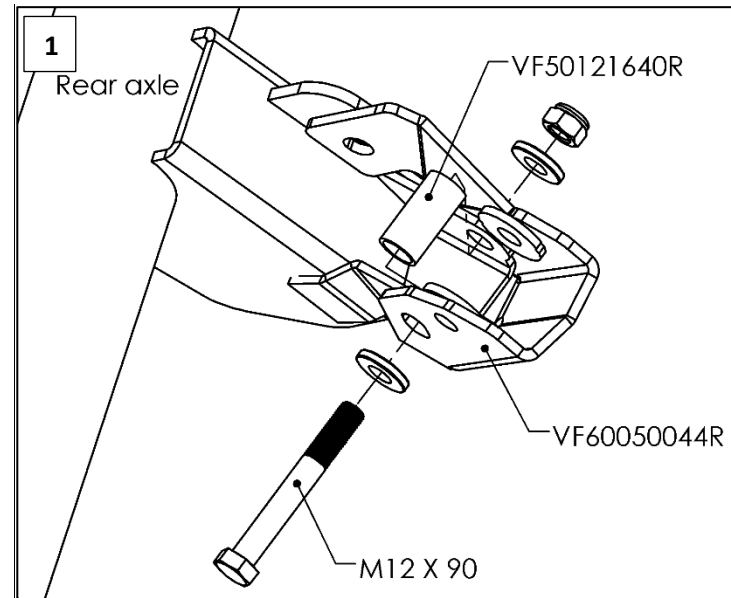
Damper Lower Mount Bracket

Supplied brackets are left and right.

Follow steps 1 and 2.

1. Fit the supplied damper bracket **VF60050044L/R** and crush tube **VF50121640** to the lower OE mount using the supplied M12 fasteners as shown in the diagram.
Secure fasteners finger tight only.

2. Fit the OE bolt and the sway bar link to the bracket and OE mount as shown in the diagram.
Secure fasteners finger tight only.



DAMPER MOUNTING

The BP-51 needs to be fitted with the suspension in droop.

TOP MOUNT

Fit the damper to vehicle top mount. Ensure the hose leaving the damper is pointing toward the rear of the vehicle as shown in the picture.

Reuse OE bolt.

Torque (refer to Jeep JL workshop manual).

LOWER MOUNT

Fit the damper to the new lower mount reusing the OE fasteners (2) as shown in the diagram. Finger tight only. Ensure the shaft guard is facing toward the front of the vehicle. Securely tighten all fasteners in number sequence.

OE bolts (1) and (3).

Torque (refer to Jeep JL workshop manual).

M12 bolt supplied(3).

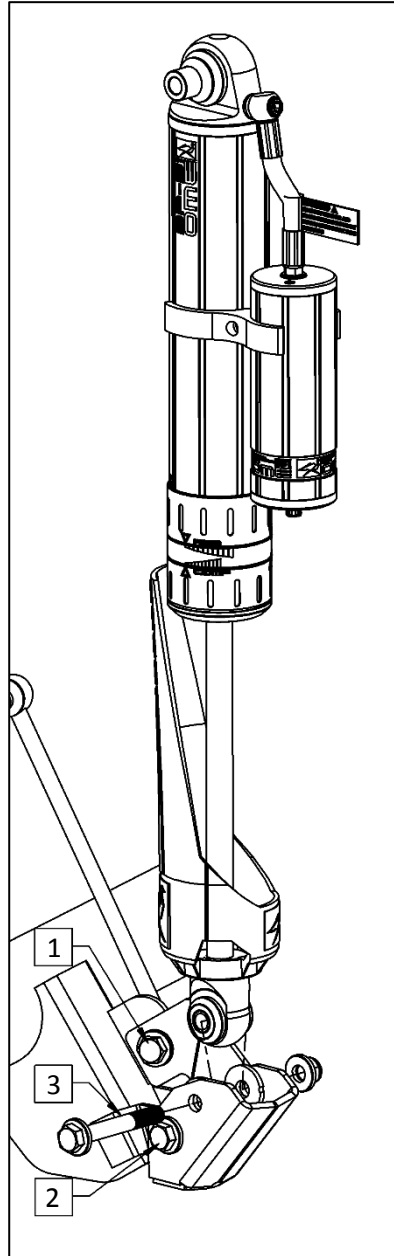
Torque to 103 N.m (76 lbf.ft).

CAUTION

Ensure Sway Bar clears damper body when fully fitted.

OME kit FK93 is required or a longer replacement sway bar link is required.

Bump stop spacer is also mandatory. See component req. table on page 2.



DAMPING ADJUSTMENT

These dampers have been set in the factory to be used for a vehicle with accessories fitted. If your load or accessory fitment differs, use the table below as a guide for recommended compression (Comp) and rebound (Reb) adjuster settings. Refer to supplied Owners' Manual for more information.

Front accessories	Comp	Reb
0 - 100 kg	0-4	2-6
100 - 200 kg	2-6	4-8
200 - 300 kg	4-8	6-10

SPECIFICATIONS

1	Factory Compression Setting	0
2	Factory Rebound Setting	6
3	Extended Length	686 mm
4	Compressed Length	428 mm

SPARE PARTS

Refer to Service And Part manual, section BP-51 S&P 3.1_BP5160034L/R.

